

RAINBOW GLASS REPLACEMENT

TECHNICAL SPECIFICATIONS

Description: Adjustable spot fixture; inner glass white, outer glass dichroic coating
Design: Bruck-Team
Lamp: 50W bi-pin: GY6.35

CONTENTS OF DELIVERY

fixture - qty. 1



IMPORTANT SAFETY INSTRUCTIONS

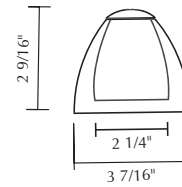


1. Save these instructions and refer to them when additions to or changes to the fixture are made.
2. THIS PRODUCT MUST BE INSTALLED BY A PERSON FAMILIAR WITH THE CONSTRUCTION AND OPERATION OF THE PRODUCT AND THE HAZARDS INVOLVED, IN ACCORDANCE WITH THE APPLICABLE NEC CODE.
3. Do not install this fixture in damp or wet locations.
4. CAUTION - Do not install any fixture assembly closer than 6 inches from any curtain, or similar combustible material.
5. Turn off power prior to any work on the systems.
6. Total wattage of the fixture must never exceed the wattage supplied by the low voltage electronic transformer. Please check that the total lamp wattage does not exceed 50W or wattage specified by fixture.
7. Secondary connections must be clean and tight to avoid arcing and overheating!
8. Warranty is void in case of unauthorized modifications and/ or improper use.

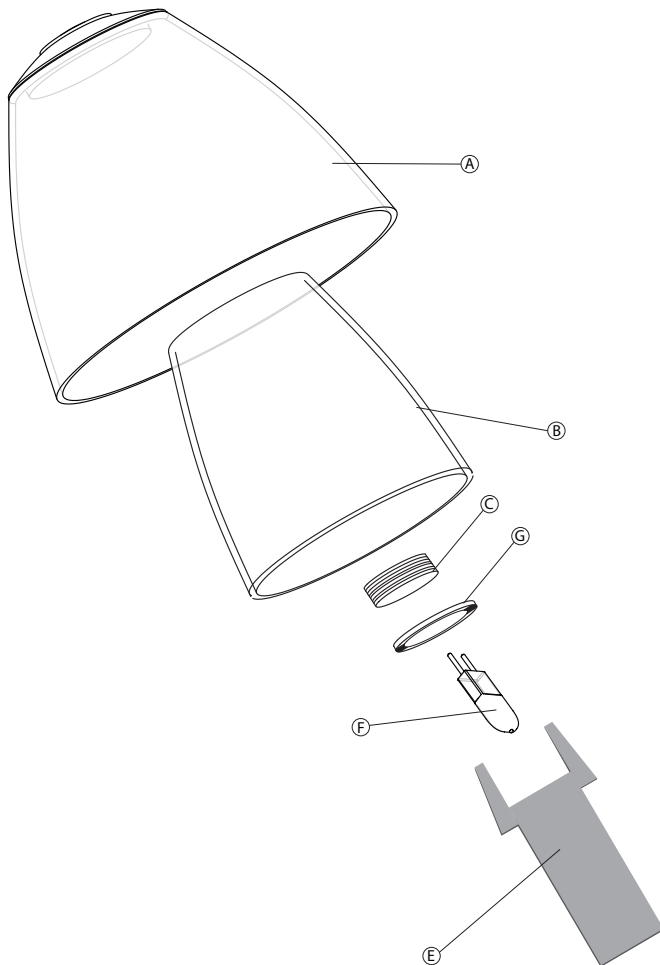
READ ALL OF THESE INSTRUCTIONS BEFORE INSTALLATION

PART NUMBERS

100 913bz	bronze	220 913ch	chrome
100 913ch	chrome	220 913mc	matte chrome
100 913mc	matte chrome	100 916mc	matte chrome
100 916bz	bronze	220 916bz	bronze
100 916ch	chrome	220 916ch	chrome
100 916mc	matte chrome	220 916mc	matte chrome
220 335ch	chrome		
220 335mc	matte chrome		
220 913bz	bronze		



INSTALLATION INSTRUCTIONS



INSTALLATION

- Remove bi-pin lamp (F) from the socket.
- Using Bruck custom wrench (E) provided, unscrew the washer (C) from the socket (G). Hold down the inner glass (B) and turn washer counter clockwise. (Take care not to let inner glass scratch the inside of the rainbow glass as you are removing the inner glass.)
- Remove washer (G) and the inner glass (B) replace with new outer glass. Follow previous steps in the reverse order to install the new outer glass.