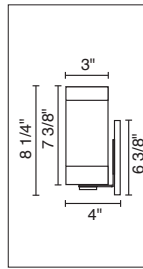
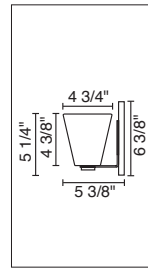


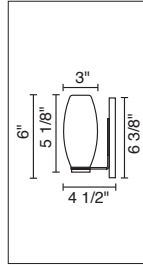
LED DIAMOND SCONCE



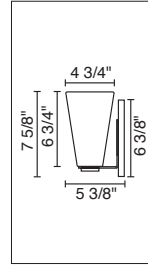
SILVA LED SCONCE
103 711(bz,ch,mc)
103 712(bz,ch,mc)
103 713(bz,ch,mc)
103 714(bz,ch,mc)
103 715(bz,ch,mc)
103 716(bz,ch,mc)



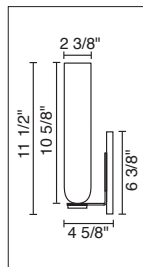
BLING I LED SCONCE
103 168(bz,ch,mc)
103 176(bz,ch,mc)
103 178(bz,ch,mc)
103 840(bz,ch,mc)
103 841(bz,ch,mc)
103 842(bz,ch,mc)



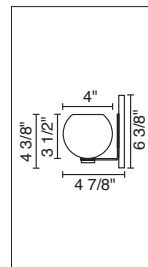
CIRO MINI LED SCONCE
103 830(bz,ch,mc)
103 831(bz,ch,mc)
103 832(bz,ch,mc)
103 833(bz,ch,mc)



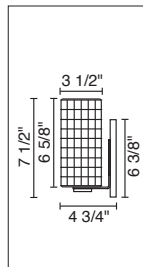
BLING II LED SCONCE
103 169(bz,ch,mc)
103 174(bz,ch,mc)
103 179(bz,ch,mc)
103 843(bz,ch,mc)
103 844(bz,ch,mc)
103 845(bz,ch,mc)



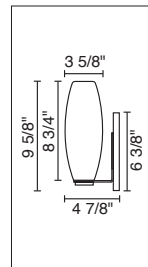
CHIANTI LED SCONCE
103 820(bz,ch,mc)
103 821(bz,ch,mc)
103 822(bz,ch,mc)
103 823(bz,ch,mc)



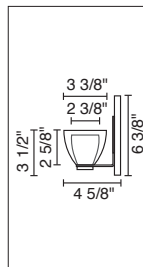
BOBO LED SCONCE
103 915(bz,ch,mc)
103 917(bz,ch,mc)



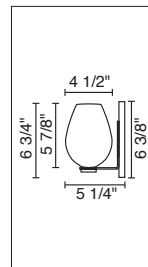
SIERRA LED SCONCE
103 114bz
103 114ch
103 114mc



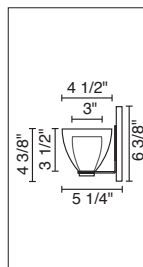
CIRO LED SCONCE
103 116(bz,ch,mc)
103 119(bz,ch,mc)
103 121(bz,ch,mc)
103 122(bz,ch,mc)
103 124(bz,ch,mc)
103 125(bz,ch,mc)



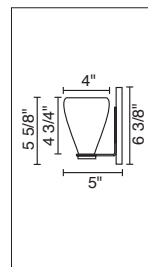
RAINBOW I LED SCONCE
103 721(bz,ch,mc)
103 722(bz,ch,mc)
103 723(bz,ch,mc)
103 724(bz,ch,mc)
103 913(bz,ch,mc)
103 918(bz,ch,mc)



BOLERO LED SCONCE
103 336(bz,ch,mc)
103 337(bz,ch,mc)
103 338(bz,ch,mc)
103 339(bz,ch,mc)



RAINBOW II LED SCONCE
103 725(bz,ch,mc)
103 726(bz,ch,mc)
103 728(bz,ch,mc)
103 729(bz,ch,mc)
103 816(bz,ch,mc)
103 817(bz,ch,mc)
103 916(bz,ch,mc)
103 919(bz,ch,mc)



LUCY LED SCONCE
103 126(bz,ch,mc)
103 127(bz,ch,mc)
103 128(bz,ch,mc)

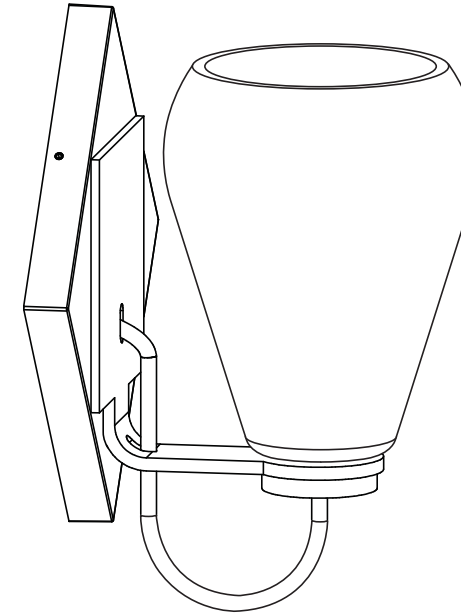
LED DIAMOND SCONCE



QUEENY I LED SCONCE
103 321(bz,ch,mc)
103 322(bz,ch,mc)
103 323(bz,ch,mc)
103 324(bz,ch,mc)
103 325(bz,ch,mc)
103 370(bz,ch,mc)
103 371(bz,ch,mc)
103 372(bz,ch,mc)
103 373(bz,ch,mc)



LED DIAMOND SCONCE



TECHNICAL SPECIFICATIONS

Description: 4" Canopy with J-Box and Glass
Design: Bruck-Team
Lamp: 3 Watt LED

CONTENTS OF DELIVERY

fixture complete



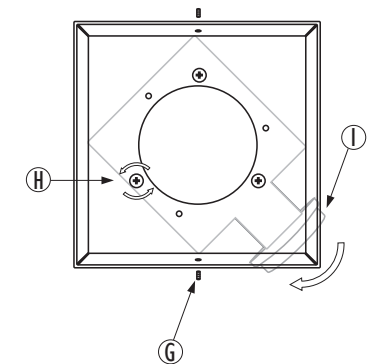
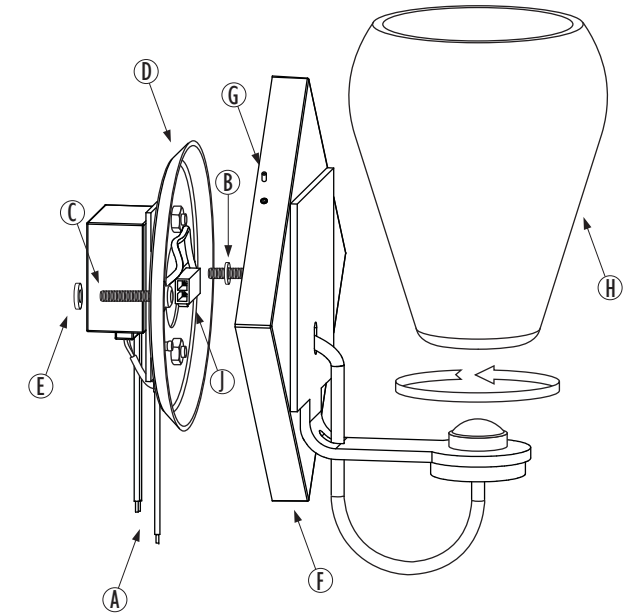
IMPORTANT SAFETY INSTRUCTIONS



1. Save these instructions and refer to them when additions to or changes to the fixture are made.
2. THIS PRODUCT MUST BE INSTALLED BY A PERSON FAMILIAR WITH THE CONSTRUCTION AND OPERATION OF THE PRODUCT AND THE HAZARDS INVOLVED, IN ACCORDANCE WITH THE APPLICABLE NEC CODE.
3. Do not install this fixture in damp or wet locations.
4. CAUTION - Do not install any fixture assembly closer than 6 inches from any curtain, or similar combustible material.
5. Turn off power prior to any work on the systems.
6. Warranty is void in case of unauthorized modifications and/ or improper use.

READ ALL OF THESE INSTRUCTIONS BEFORE INSTALLATION

INSTALLATION INSTRUCTIONS



INSTRUCTIONS FOR USE

- Begin by connecting the two wires from the transformer (A) to the power cables in the wall. Then slide the notched plastic washer (B) through the mounting screw (C).
- Insert the screw (C) into the mounting plate (D) and slide the plastic washer (E) onto the end of the screw. Align the screws (C) with the J-box and tighten until firmly connected.
- Connect quick connect (I) then place the canopy cover (F) over the mounting plate (D) and secure it with the allen screw (G) located on the side of the base.

CHANGING DIAMOND CANOPY TO SQUARE

- To rotate stem, unscrew (G) from the canopy cover (F). Unscrew all 3 screws (H) from the back of canopy, rotate stem (I) and align with holes.
- Remove the glass shade (H) from the fixture by turning the glass counter-clockwise.