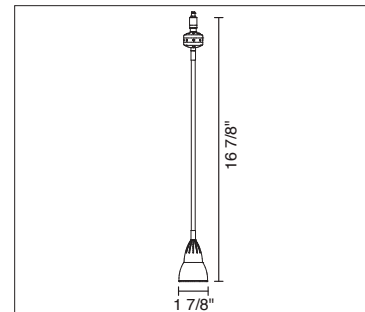


# INSTALLATION AND WIRING DIAGRAM

## LEDRA® SERIES LEDS

### LEDRA® III FLEX 2

ART. NO.	135 772bz/s	bronze, white, 10° lens	135 772-lbz/s	bronze, warm white, 10° lens
	135 772bz/m	bronze, white, 30° lens	135 772-lbz/m	bronze, warm white, 30° lens
	135 772bz/fl	bronze, white, 45° lens	135 772-lbz/fl	bronze, warm white, 45° lens
	135 772mc/s	matte chrome, white, 10° lens	135 772-lmc/s	matte chrome, warm white, 10° lens
	135 772mc/m	matte chrome, white, 30° lens	135 772-lmc/m	matte chrome, warm white, 30° lens
	135 772mc/fl	matte chrome, white, 45° lens	135 772-lmc/fl	matte chrome, warm white, 45° lens



## IMPORTANT SAFETY INSTRUCTIONS



1. Save these instructions and refer to them when additions to or changes to the fixture are made.
2. THIS PRODUCT MUST BE INSTALLED BY A PERSON FAMILIAR WITH THE CONSTRUCTION AND OPERATION OF THE PRODUCT AND THE HAZARDS INVOLVED, IN ACCORDANCE WITH THE APPLICABLE NEC CODE.
3. Do not install this fixture in damp or wet locations.
4. CAUTION - Do not install any fixture assembly closer than 6 inches from any curtain, or similar combustible material.
5. Turn off power prior to any work on the systems.
6. Warranty is void in case of unauthorized modifications and/ or improper use.

## READ ALL OF THESE INSTALLATION INSTRUCTIONS BEFORE INSTALLING THE FIXTURE

### Contents of Delivery:

LEDRA® III FLEX 2 - qty. (1)

#### Step 1.

- Mount the fixture to the canopy or adaptor by plugging in the Uni-Plug.
- The Uni-Plug will 'click' when properly inserted.
- Turn the retaining collar to complete the installation.

