



16¼" High, Low Consumption
Closet Combination
Vitreous China

FEATURES

- 31147 Galaxy/Cranada™ Tall

Bowl: 3815 Galaxy/Cranada™ Tall (1.6 gpf / 6.0 lpf), vitreous china siphon action, elongated rim bowl (16¼" high) with self-draining jet and bolt caps.

Tank: 3742 Galaxy/Cranada™ 12" roughing-in vitreous china tank and cover with flushvalve, pilot operated fill valve, and color coordinated trip lever.

Supply:

Seat:

Color:

NOTES

- Fixture dimensions conform to ANSI/ASME A112.19.2M standard.
- Water surface, seal, ball pass and operation meets or exceeds ANSI/ASME A112.19.2M requirements.
- Fixture complies with Americans With Disabilities Act.
- Also available with right hand trip lever model number 3746 and with optional metal, Polished Chrome (068) trip lever model number P030367.

WATER ECONOMY FACTS

Average Gallons Per Flush	20 PSI	40 PSI	80 PSI
3492 Elongated Rim	1.53	1.59	1.55
TRAPWAY	2"		
WATER SURFACE	9" x 8"		
WATER SEAL	2¾"		

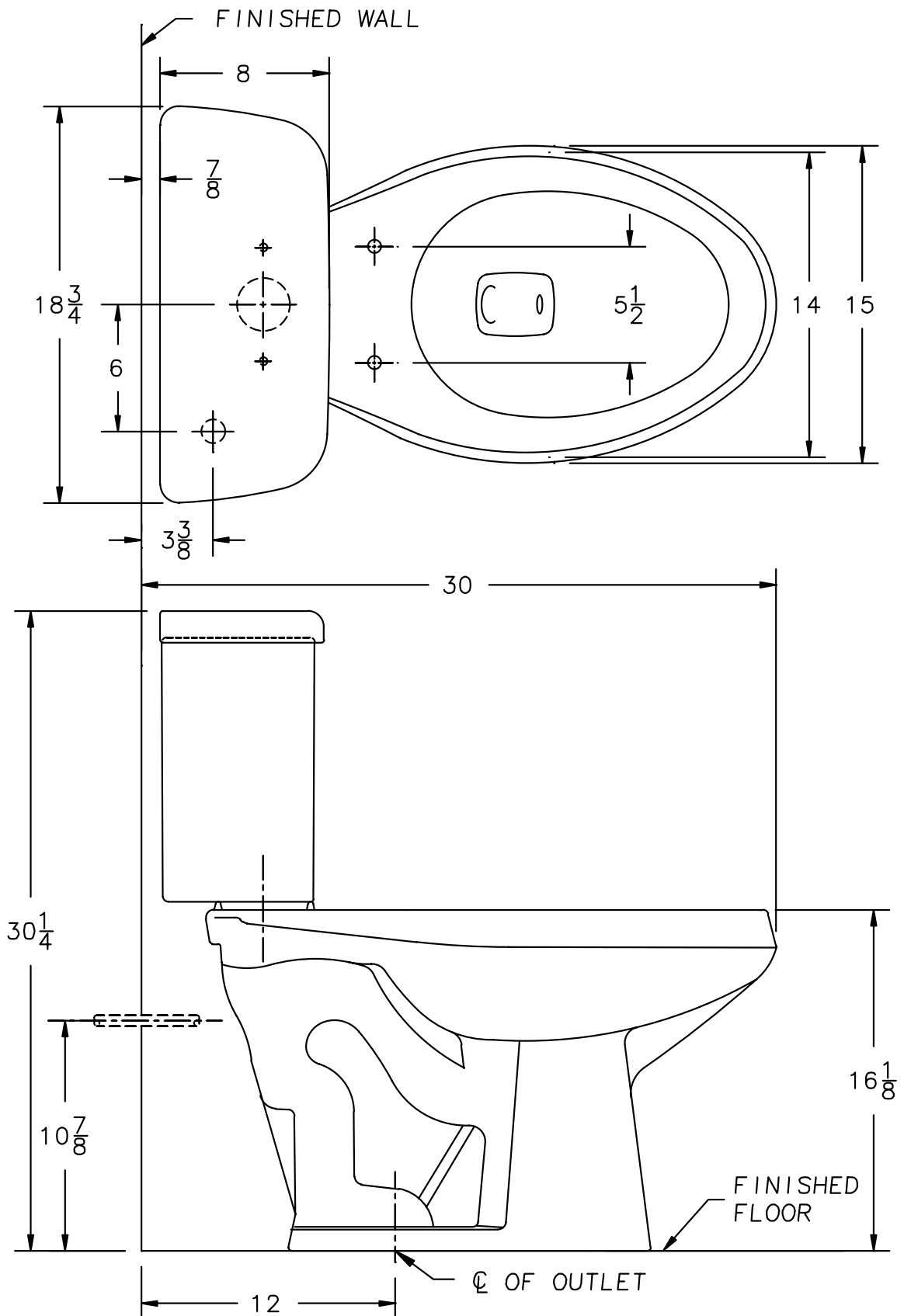


GALAXY / CRANADA™ TALL

16 1/4" High, 12" Rough-In Low Consumption Closet Combination

31147

ADA COMPLIANCE



IMPORTANT: Roughing-in dimensions may vary 1/2" and are subject to change or cancellation without prior notice. No responsibility is assumed for use of superseded or voided leaflets.