

DESCRIPTION

- Metal construction with LifeShine® nickel finish
- 1/2" IPS connections
- Includes metal strainer waste assembly

OPERATION

- Cross handles
- Maximum handle rotation angle is 90° to full on for either handle
- Hot side counterclockwise to open (clockwise to close)
- Cold side clockwise to open (counterclockwise to close)

FLOW

- Aerator is limited to 2.2 gpm max (8.3 L/min)

CARTRIDGE

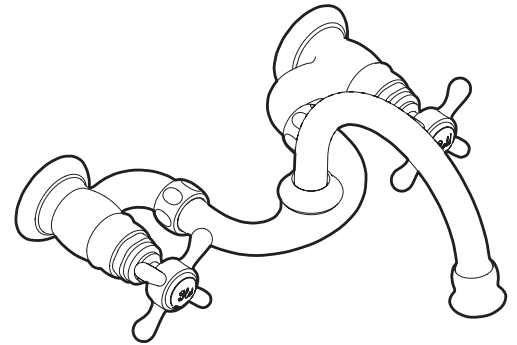
- 1224 cartridge design
- Nonmetallic and stainless steel material

STANDARDS

- Third party certified to CSA B125, ASME A112.18.1M and all applicable requirements referenced therein.
- Certified to ANSI/NSF 61/9
- Complies with California Proposition 65 and with the Federal Safe Water Drinking Act

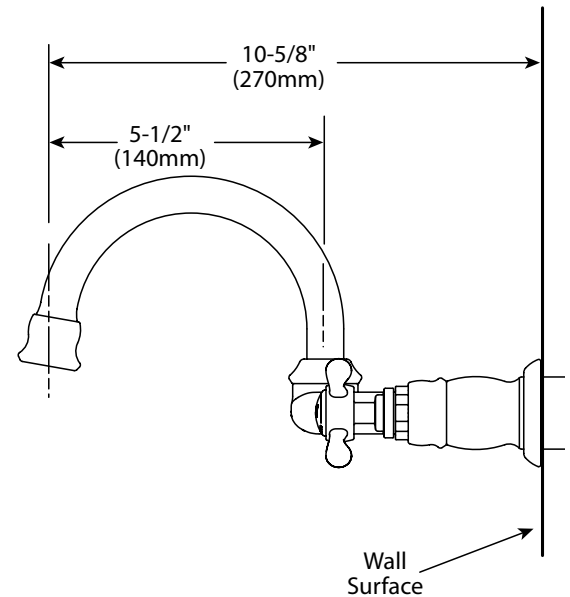
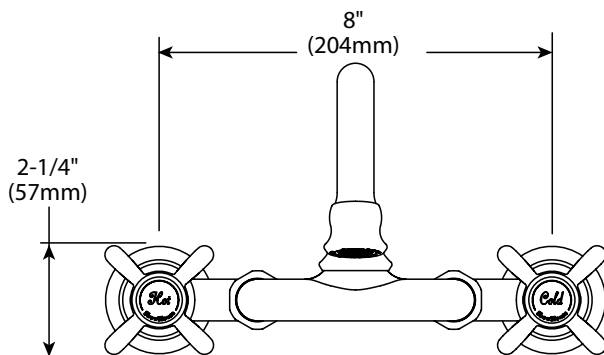
WARRANTY

- Lifetime limited warranty against leaks, drips and finish defects to the original consumer purchaser
- 5 year warranty if used in commercial installations



**Mannerly™
Two-Handle Wall-Mount
Lavatory Faucet**

Model: S864NL



CRITICAL DIMENSIONS

(DO NOT SCALE)