



Buy it for looks. Buy it for life.®

### FAUCET DESCRIPTION

- Metal construction with chrome plated or LifeShine® stainless finish
- 1/2" IPS connections
- Includes Protégé® side spray and hose

### OPERATION

- Lever style chrome handle
- Temperature controlled by 180° arc of handle travel
- Will operate with less than 5lbs. of force

### FLOW

- Aerator is limited to 2.2 gpm max (8.3 L/min)

### CARTRIDGE

- 1225 cartridge design
- Nonmetallic/nonferrous and stainless steel material

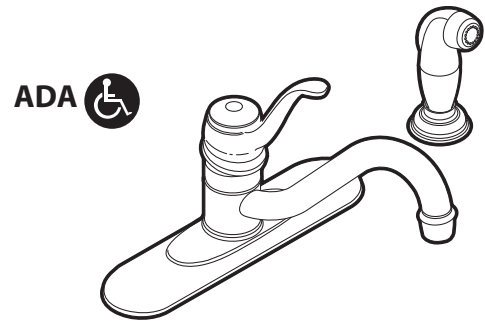
### STANDARDS

- Third party certified to CSA B-125, ASME A112.18.1M, ANSI A117.1 and all applicable requirements referenced therein
- Certified to ANSI/NSF 61/9
- Complies with California Proposition 65 and with the Federal Safe Water Drinking Act

### WARRANTY

- Lifetime limited warranty against leaks, drips and finish defects to the original consumer purchaser
- 5 year warranty if used in commercial installations

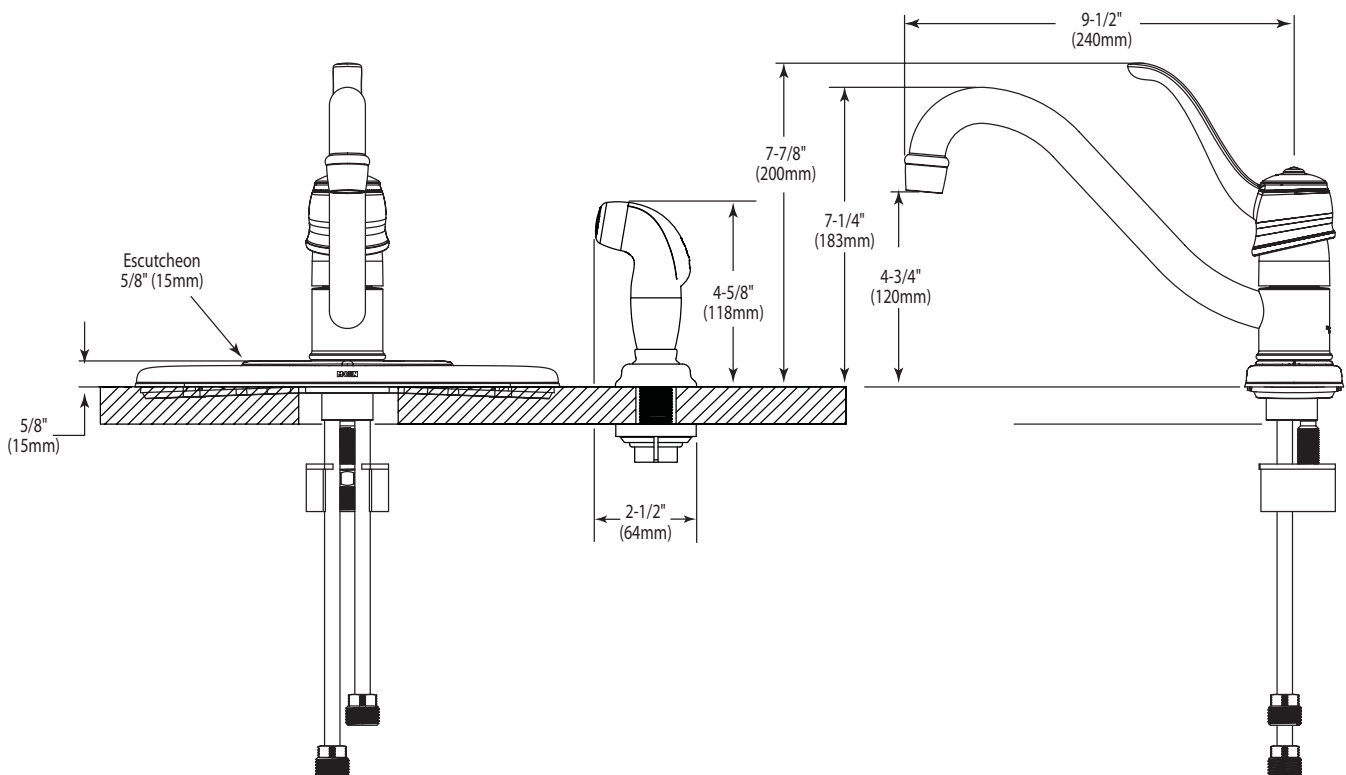
# Specifications



## Single-Handle Kitchen Faucet w/ Protégé® Side Spray

Models: 87420, 87420SL

**NOTE:** DESIGNED TO INSTALL THROUGH  
4 HOLES 1-1/4" (32mm) MIN. DIA. AND 4" (102mm)  
ON CENTER.



### CRITICAL DIMENSIONS

(DO NOT SCALE)

FOR MORE INFORMATION CALL: 1-800-BUY-MOEN

www.moen.com