



Buy it for looks. Buy it for life.®

Specifications

FAUCET DESCRIPTION

- Metal and plastic construction with chrome plated or LifeShine® classic stainless steel
- 1/2" IPS connections
- Includes Protégé side spray
- Hydrolock® quick connect installation

OPERATION

- Lever style chrome handles
- Maximum handle rotation angle is 90° to full on either handle
- Rotating hot side counterclockwise to open and clockwise to close
- Rotating cold side clockwise to open and counterclockwise to close
- Includes hot (red) and cold (blue) temperature indicators

FLOW

- Aerator is limited to 2.2 gpm max (8.3 L/min)

CARTRIDGE

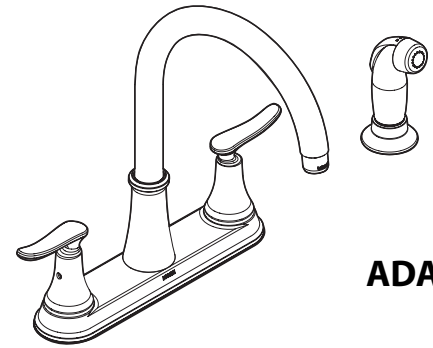
- 1224 cartridge design
- Nonmetallic and stainless material

STANDARDS

- Third party certified to CSA B-125, ASME A112.18.1M, ANSI A117.1, and all applicable requirements referenced therein.
- Certified to ANSI/NSF 61/9
- Complies with California Proposition 65 and with Federal Safe Water Drinking Act

WARRANTY

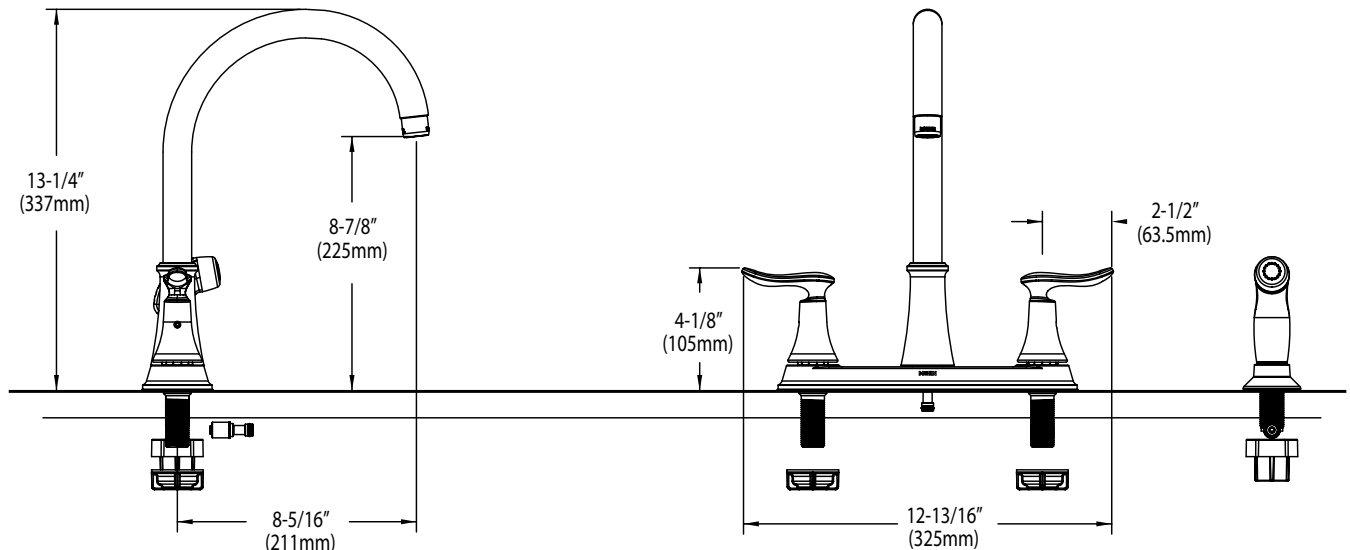
- Lifetime limited warranty against leaks, drips and finish defects to the original consumer purchaser
- 5 year warranty if used in commercial installations



QUINN™ Two-Handle Lever Style Kitchen Faucet with Protégé Side Spray

Models: 87846, 87846CSL,
Less spray: 87847, 87847CSL

NOTE: DESIGNED TO INSTALL THROUGH 4 HOLES
1-1/4" (32mm) MIN. DIA. AND 4" (102mm) ON CENTER.



CRITICAL DIMENSIONS

(DO NOT SCALE)

FOR MORE INFORMATION CALL: 1-800-BUY-MOEN

www.moen.com