

# Villeta Technical Specification

## Paper Holder

# YB3608

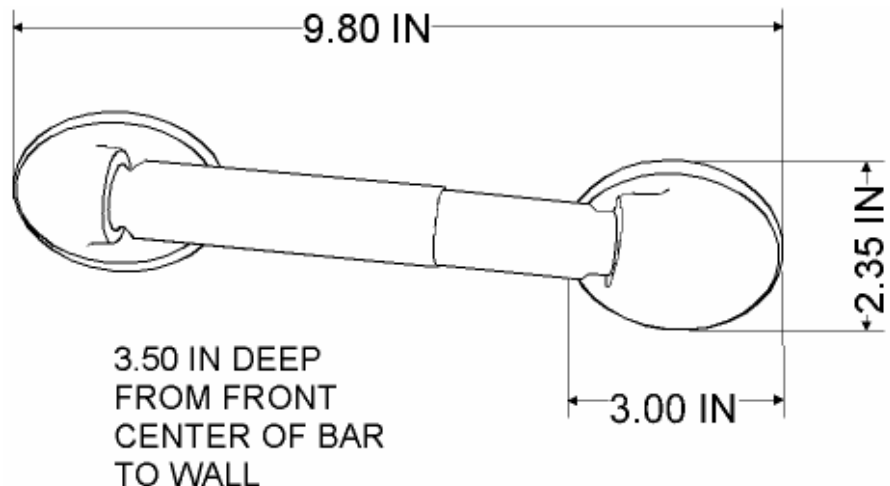
### Stock Numbers:

- q **Y3608CH – Paper Holder**  
Chrome Finish, Retail Packaging
- q **YB3608CH – Paper Holder**  
Chrome Finish, Wholesale Packaging
- q **YB3608CP – Paper Holder**  
Chrome & Polished Brass Finish,  
Wholesale Packaging
- q **Y3608PMC – Paper Holder**  
Platinum & Chrome Finish, Retail  
Packaging
- q **YB3608PMC – Paper Holder**  
Platinum & Chrome Finish, Wholesale  
Packaging

### Materials:

**Paper Holder** post is constructed of zinc. Roller is plastic for all finishes except for platinum that has an aluminum roller.

### Dimensions:



### Installation Instructions:

1. Position the mounting template on the wall in the desired location. Using a level, align the template and tape it to the wall.
2. Remove both mounting bases by loosening each setscrew.
3. Place each mounting base on the template.
4. One at a time, place each anchor screw through the mounting base, centered in each large slot. Using a Phillips screwdriver, turn the anchor screw while applying pressure. Screw will self-drill and tap into drywall.
5. Only insert screw  $\frac{1}{2}$  to  $\frac{3}{4}$  of the way into wall.
6. After all screws are installed, tear the template away from the wall.
7. Tighten all 4 screws. Do not over tighten.
8. Position each end post with the setscrew down and place over mounting plate. Tighten the setscrew at the bottom of each base.
9. Compress the paper holder bar and place into both post holes.

### Cleaning Instructions:

To preserve the fine finish of this product, clean only with a soft damp cloth. Dry well. Do not use commercial or abrasive cleaners.

**Stock Number:** \_\_\_\_\_ **Paper Holder**  
By CSI Bath Furnishings



25300 AL MOEN DRIVE • NORTH OLMSTED, OH 44070  
CORPORATE HEADQUARTERS: (800) 321-8809 • FAX: (800) 848-6636  
INTERNATIONAL: (440) 962-2000 • FAX: (440) 962-2726  
CUSTOMER SERVICE (USA): 800-882-0116 • FAX: (888) 379-2720  
WWW.CSI.MOEN.COM

©Copyright Creative Specialties International 2006

Literature #BA1218