

Vivid™ Technical Specification

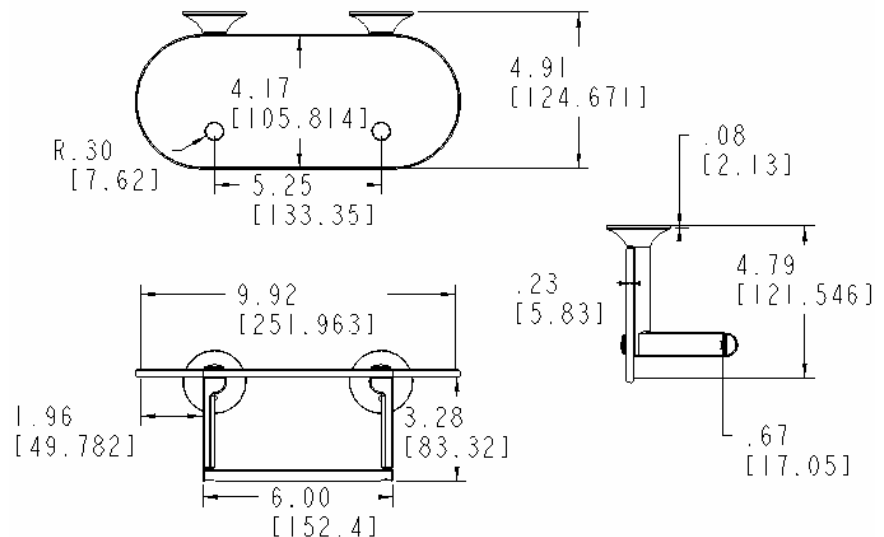
Paper Holder

YB7408

Stock Numbers:

- q YB7408CH – Paper Holder
Chrome Finish

Dimensions:



Materials:

Paper Holder is constructed of zinc.

Installation Instructions:

Directions below are for installation into drywall. If installing product into a stud, use the wood screws only.

1. Remove mounting posts from the product assemblies by loosening each screw.
2. Position the mounting template on the wall in the desired location.
3. Using a level, align the template on the wall.
4. Drill two 5/16" holes at each mounting post location. (We recommend using the horizontal holes for drywall installation.)
5. Remove the template from the wall.
6. Fold ends of the plastic toggle anchor together and insert into each hole.
7. Lightly tap anchors until flush with the wall.
8. One at a time, insert plastic pin into each anchor and lightly tap to activate.
9. Repeat on all anchors.
10. One at a time, place each mounting post over anchors (notch facing downward) and insert screws through post into anchor. Tighten screws.
11. Place assembly over the mounting posts with setscrew facing down and tighten screw.

Cleaning Instructions:

To preserve the fine finish of this product, clean only with a soft damp cloth. Dry well. Do not use commercial or abrasive cleaners.

Stock Number: _____ Paper Holder
By Creative Specialties



25300 AL MOEN DRIVE • NORTH OLMSTED, OH 44070
CORPORATE HEADQUARTERS: (800) 321-8809 • FAX: (800) 848-6636
INTERNATIONAL: (440) 962-2000 • FAX: (440) 962-2726
CUSTOMER SERVICE (USA): 800-882-0116 • FAX: (888) 379-2720
WWW.SHOWHOUSE.MOEN.COM

©Copyright Creative Specialties International 2006

Literature #BA1383