



Buy it for looks. Buy it for life.®

Specifications

DESCRIPTION

- Metal construction with chrome plated finish
- For installations from 8" (203mm) to 10" (254mm) centers
- Maximum deck thickness after rough-in 3-1/4"
- The tub fill spout is a slip fit design and the supplies are 1/2" type K, copper tubing
- Includes 4-function hand shower

OPERATION

- Lever style handles with hot and cold color indicators
- Rotate hot side handle counterclockwise to open (clockwise to close) and the cold side handle (clockwise to open) and (counterclockwise to close)

FLOW

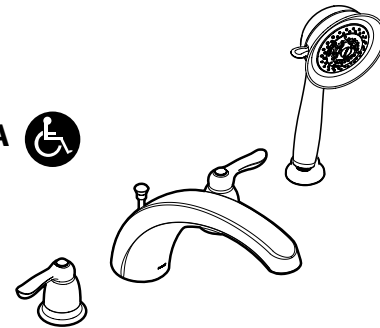
- Designed to deliver 18 gpm at 40 psi (68L/min)

CARTRIDGE

- 1248 cartridge design
- Non-metallic and stainless steel material

STANDARDS

- Third party certified to meet CSA B-125, ASME A112.18.1M, ANSI A117.1 and all applicable requirements referenced therein



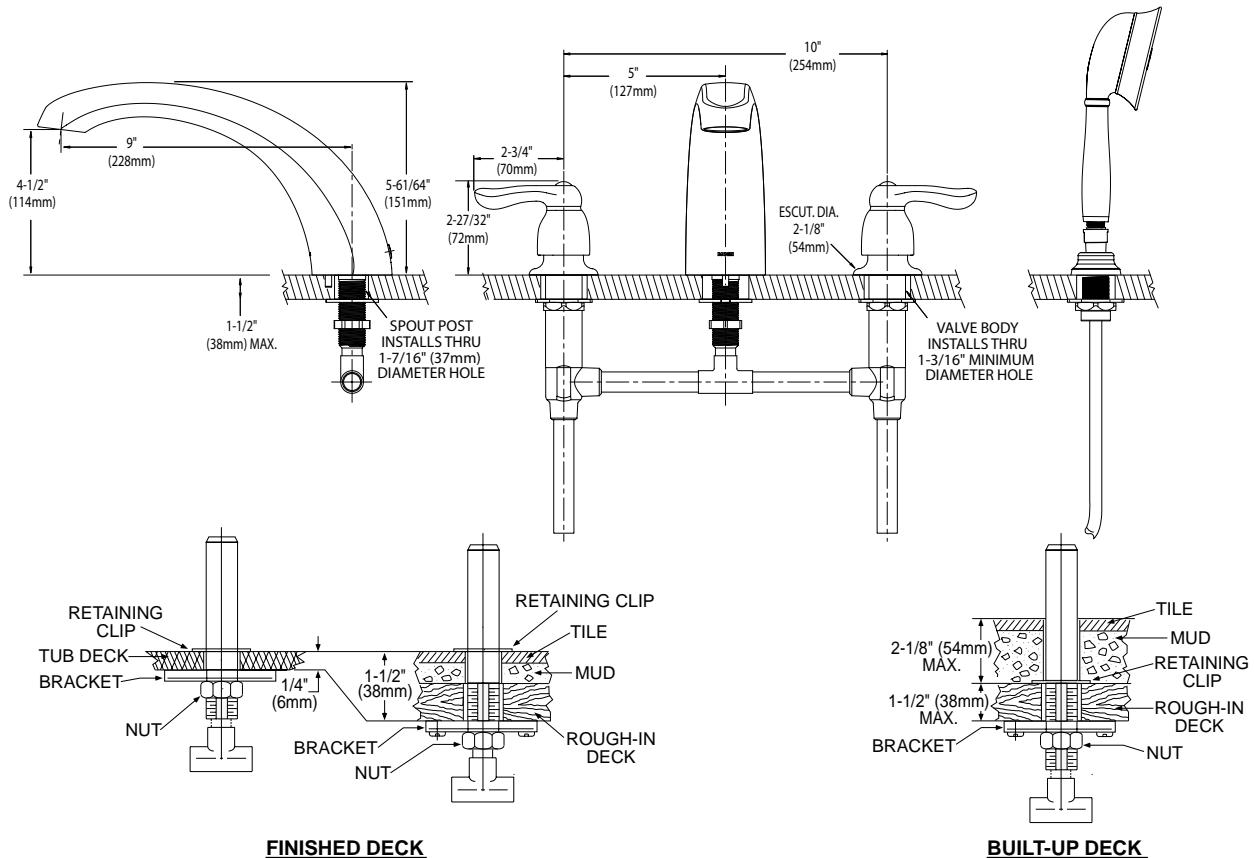
CHATEAU® Two-Handle Roman Tub w/Built in Diverter Valve

Model: T991

Valve: 9997, 9999

WARRANTY

- Lifetime limited warranty against leaks, drips and finish defects to the original consumer purchaser
- 5 year warranty if used in commercial installations



NOTE: THE INSTALLATION SHOWN IS FOR TILE DECKS, THIS VALVE WILL ALSO FIT STEEL, CAST IRON OR PLASTIC DECKS

CRITICAL DIMENSIONS

(DO NOT SCALE)

FOR MORE INFORMATION: 1-800-BUY-MOEN

www.moen.com