



Buy it for looks. Buy it for life.®

# Specifications

## DESCRIPTION

- Metal construction with chrome plated, antique nickel, oil rubbed bronze, wrought iron, LifeShine® brushed nickel, or antique bronze finishes
- 1/2" IPS connections
- Includes hot and cold indicators
- Includes metal pop-up type waste assembly

## OPERATION

- Lever style handles
- Maximum handle rotation angle is 90° to full on for either handle
- Hot side counterclockwise to open (clockwise to close)
- Cold side clockwise to open (counterclockwise to close)

## FLOW

- Aerator is limited to 2.2 gpm (8.3 L/min)

## CARTRIDGE

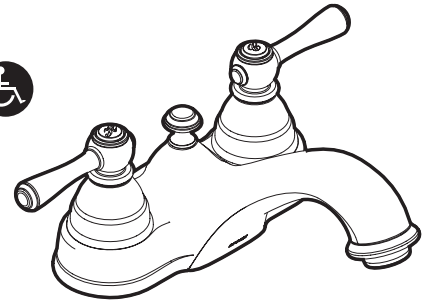
- 1224 Cartridge design
- Nonmetallic and stainless steel material

## STANDARDS

- Third party certified to ASME A112.18.1, ICC A117.1 and all applicable requirements referenced therein
- Certified to ANSI/NSF 61/9
- Complies with California Proposition 65 and with the Federal Safe Water Drinking Act

## WARRANTY

- Lifetime limited warranty against leaks, drips and finish defects to the original consumer purchaser
- 5 year warranty if used in commercial installations

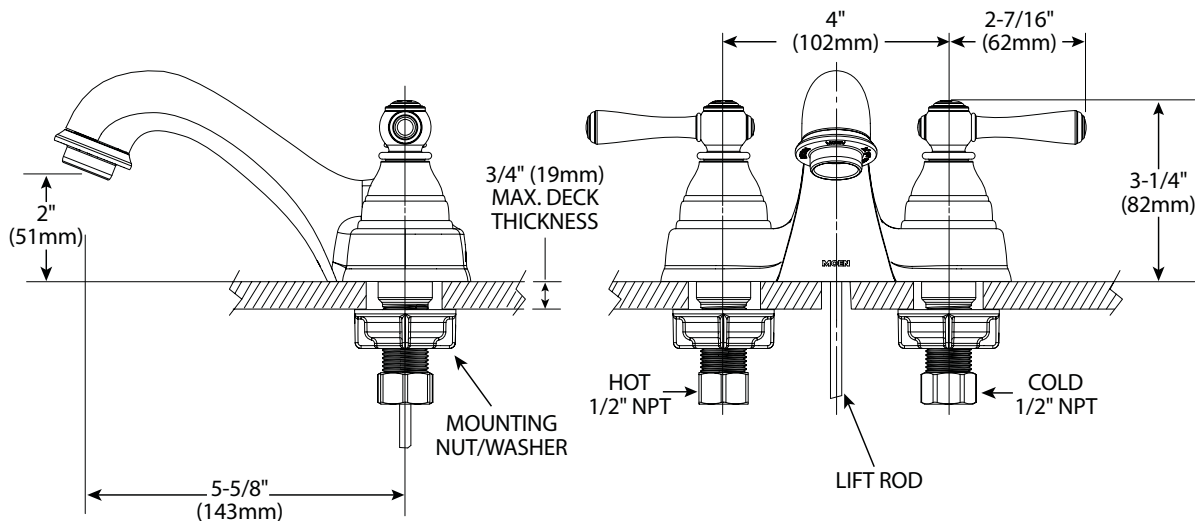


**KINGSLEY™**  
**Two Handle Lavatory Faucet**

**Models:** 6101, 6101CP, 6101WR, 6101AN, 6101ORB, 6101BN, 6101AZ

**Discontinued Model:** 6101P

**NOTE:** THIS FAUCET IS DESIGNED TO BE INSTALLED THRU 3 HOLES, 1" (25mm) MIN. DIA.



## CRITICAL DIMENSIONS

(DO NOT SCALE)