

DESCRIPTION

- Metal construction with chrome plated or LifeShine® brushed nickel finish
- 1/2" copper connections
- Designed to be installed through 2, 1-1/4" min. dia. and 1, 1" min. dia holes, 8" on center
- Adjustable for non-8" centers
- Includes hot and cold indicators
- For use with S947 valve

OPERATION

- Lever handles
- Maximum handle rotation angle is 90° to full on for either handle
- Rotate hot side handle counterclockwise to open and clockwise to close
- Rotate cold side handle clockwise to open and counterclockwise to close

FLOW

- Aerator is limited to 2.2 gpm max. (8.3 L/min)
- Features a laminar flow pattern for dramatic water presentation

CARTRIDGE

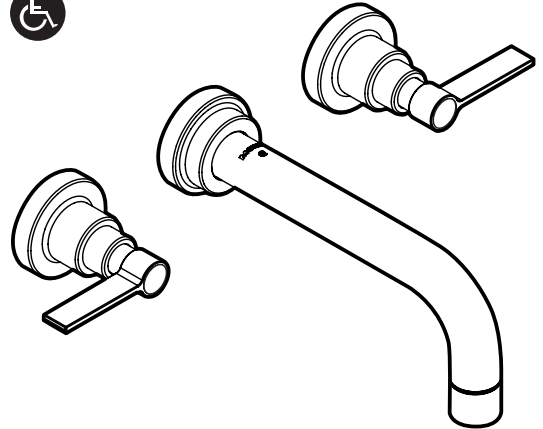
- 1224 cartridge design with nonmetallic/nonferrous and stainless steel materials

STANDARDS

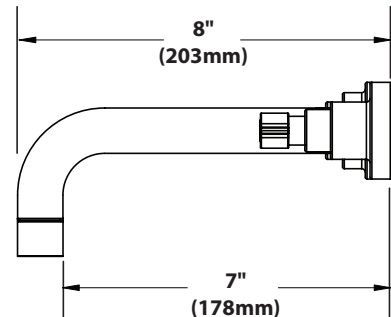
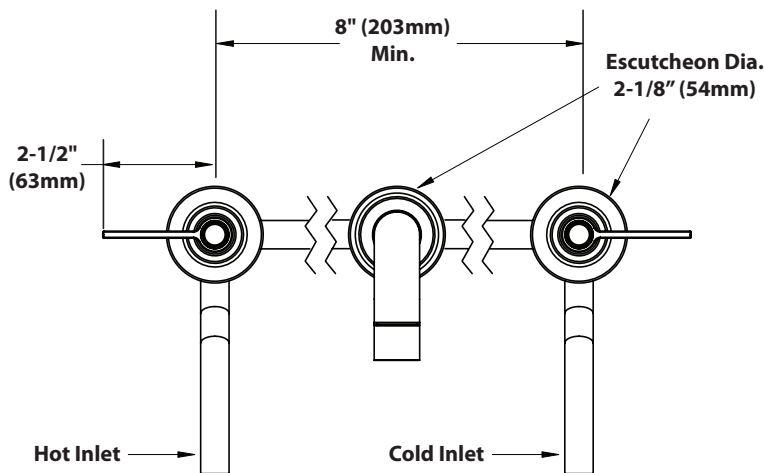
- Third party certified to CSA B125, ASME A112.18.1M, ANSI A117.1 and all applicable requirements referenced therein
- Certified to ANSI/NSF 61/9
- Complies with California Proposition 65 and with the Federal Safe Drinking Water Act

WARRANTY

- Lifetime limited warranty against leaks, drips and finish defects to the original consumer purchaser
- 5 year warranty if used in commercial installations



Solace™
Two-Handle Wall Mount Faucet Trim
Models: TS476, TS476BN



MAX WALL THICKNESS
1-3/4" (45mm)

CRITICAL DIMENSIONS

(DO NOT SCALE)