



Buy it for looks. Buy it for life.®

Specifications

SINK DESCRIPTION

- Manufactured of ultra durable, scratch resistant granite material
- Sink will replace standard double bowl dimensions 33" x 22"
- Two bowl design, each bowl is 14-5/16" x 17" x 9-1/2"
- The sink ledge has one fixture mounting hole, 1-3/8" ± 1/8" in diameter with 6 additional "knock out" type holes provided
- Each bowl has one 3-1/2" diameter recessed drain opening
- Includes all necessary mounting hardware (sealant supplied by others)
- This model is designed for under counter mounting, specify Moen Service Kit # 100509D which includes mounting hardware, template and installation instructions.

CUT OUT DIMENSIONS

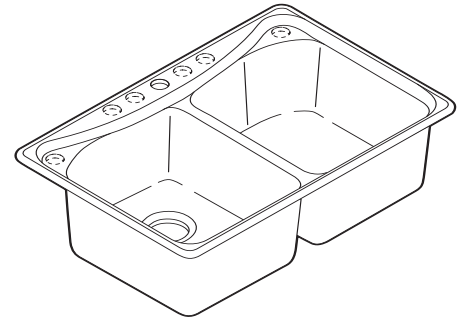
- Cutout is made by installer and should be 32" x 21-1/8"
- Order template separately: Order kit # 100507D (drop-in and undermount on one template).

STANDARDS

- Third party certified by IAPMO to meet ANSI Z-124.6-97 and all applicable specifications reference therein.

WARRANTY

- Fifteen year limited warranty against material or manufacturing defects



MoenStone®
Double Bowl Kitchen Sink
Model Numbers:

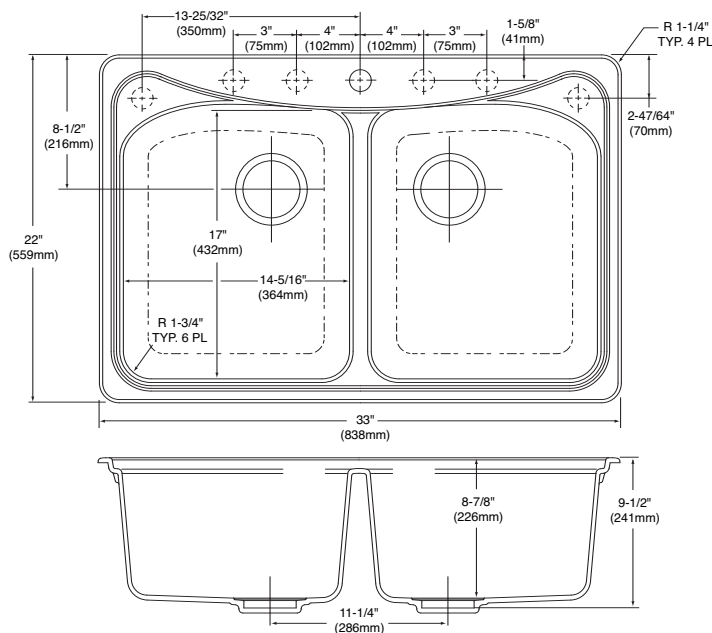
Standard Colors:

- 25350W **White**
- 25350V **Ivory**
- 25350BK **Black**

Premium Colors:

- 25350BL **Blue**
- 25350M **Metallic**

NOTE: MAXIMUM DECK THICKNESS IS 1-9/16" (40mm)



CRITICAL DIMENSIONS

(DO NOT SCALE)

FOR MORE INFORMATION CALL: 1-800-BUY-MOEN

www.moen.com