



Buy it for looks. Buy it for life.®

FAUCET DESCRIPTION

- Chrome plated metal construction
- 1/2" IPS connections
- Includes Protégé side spray and hose in deck escutcheon

OPERATION

- Lever style chrome handle
- Temperature controlled by 180° arc of handle travel
- Will operate with less than 5lbs. of force

FLOW

- Aerator is limited to 2.2 gpm max (8.3 L/min)

CARTRIDGE

- 1225 cartridge design
- Nonmetallic/nonferrous and stainless steel material

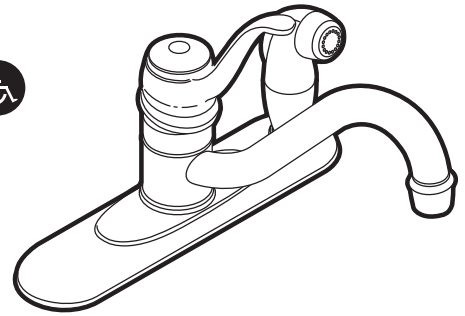
STANDARDS

- Third party certified to CSA B-125, ASME A112.18.1M, ANSI A117.1 and all applicable requirements referenced therein
- Certified to ANSI/NSF 61/9
- Complies with California Proposition 65 and with the Federal Safe Water Drinking Act

WARRANTY

- Lifetime limited warranty against leaks, drips and finish defects to the original consumer purchaser
- 5 year warranty if used in commercial installations

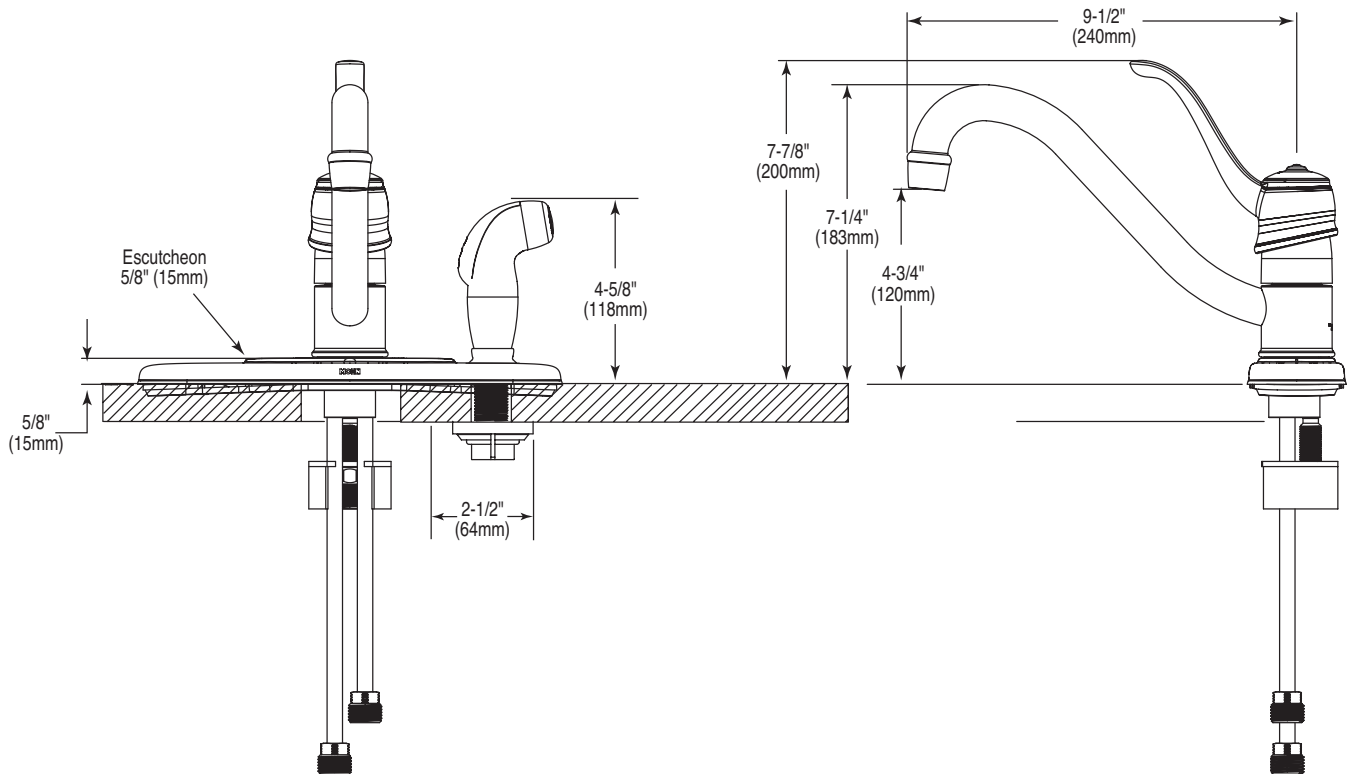
Specifications



**Single-Handle Kitchen Faucet
w/ Protégé® Side Spray**

Model: 87424

NOTE: DESIGNED TO INSTALL THROUGH
3 HOLES 1-1/4" (32mm) MIN. DIA. AND 4" (102mm)
ON CENTER.



CRITICAL DIMENSIONS

(DO NOT SCALE)

FOR MORE INFORMATION CALL: 1-800-BUY-MOEN

www.moen.com