

Castleby Technical Specification

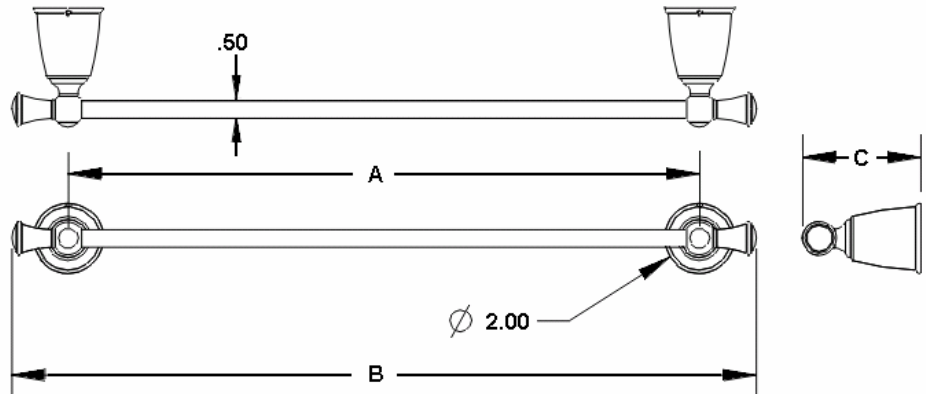
18" & 24" Towel Bar

Y2518 & Y2524

Stock Numbers:

- q **YB2518CH – 18" Towel Bar**
Chrome Finish
Wholesale Packaging
- q **YB2524CH – 24" Towel Bar**
Chrome Finish
Wholesale Packaging
- q **YB2518CP – 18" Towel Bar**
Chrome & Polished Brass Finish
Wholesale Packaging
- q **YB2524CP – 24" Towel Bar**
Chrome & Polished Brass Finish
Wholesale Packaging
- q **YB2518STP – 18" Towel Bar**
Satine or Satine & Polished Brass Finish
Wholesale Packaging
- q **YB2524STP – 24" Towel Bar**
Satine or Satine & Polished Brass Finish
Wholesale Packaging
- q **YB2518BN – 18" Towel Bar**
Brushed Nickel Finish
Wholesale Packaging
- q **YB2524BN – 24" Towel Bar**
Brushed Nickel Finish
Wholesale Packaging

Dimensions:



Length	18"	24"
Dim. "A"	18.00	24.00
Dim. "B"	21.22	27.22
Dim. "C"	3.37	3.37

Installation Instructions:

1. Remove mounting posts from the product assemblies by loosening each setscrew.
2. Position the mounting template on the wall in the desired location.
3. Using a level, align the template and tape it to the wall.
4. Drill two 5/16" holes at each mounting post location that corresponds to your product.
5. We recommend using the horizontal holes for drywall installation.
6. Remove the template from the wall.
7. Fold ends of the plastic toggle anchor together and insert into each hole in the wall.
8. Lightly tap anchors until flush with the wall.
9. One at a time, insert plastic pin into each anchor and lightly tap to activate anchor.
10. Remove pin and repeat on all anchors.
11. One at a time, place each mounting post over anchors (notch facing downward) and insert screws through post into anchors.
12. Tighten screws.
13. Place assembly over the mounting posts with setscrew facing down and tighten setscrew.

Materials:

Towel Bars posts are constructed of zinc. Bar is aluminum.

Cleaning Instructions:

To preserve the fine finish of this product, clean only with a soft damp cloth. Dry well. Do not use commercial or abrasive cleaners.

Stock Number: _____ **Towel Bar**
By CSI Bath Furnishings



25300 AL MOEN DRIVE • NORTH OLMS TED, OH 44070
CORPORATE HEADQUARTERS: (800) 321-8809 • FAX: (800) 848-6636
INTERNATIONAL: (440) 962-2000 • FAX: (440) 962-2726
CUSTOMER SERVICE (USA): 800-882-0116 • FAX: (888) 379-2720
WWW.CSI.MOEN.COM

©Copyright Creative Specialties International 2006

Literature #BA1105