

# Bamboo™ Technical Specification

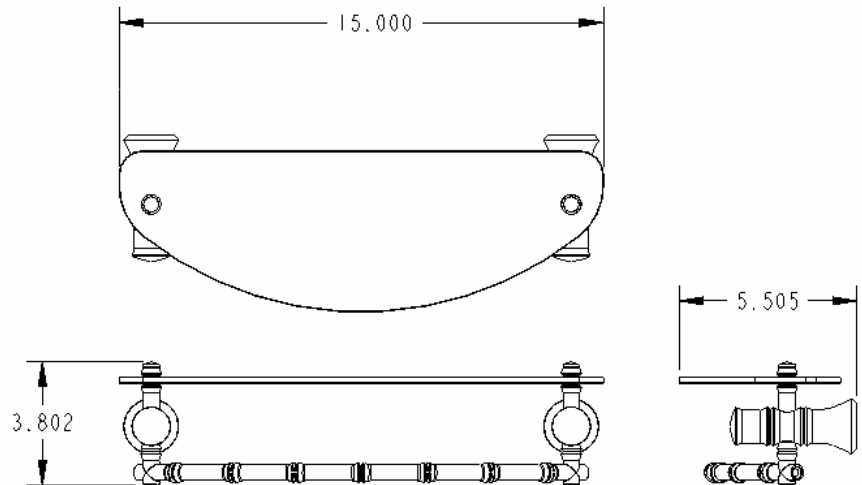
Glass Shelf w/ 13" Curved Towel Bar

YB9595

## Stock Numbers:

- q YB9595BN – Glass Shelf with  
13" Curved Towel Bar  
Brushed Nickel Finish

## Dimensions:



## Materials:

**Glass Shelf with 13" Curved Towel Bar** is constructed of zinc post and towel bar and tempered glass shelf.

## Installation Instructions:

1. Position the mounting template on the wall in the desired location. Using a level, align the template and tape it to the wall.
2. Remove each mounting post from the body by loosening the setscrew.
3. Place each mounting post on the template with notch facing down.
4. Drill 1/4" holes at the center of each oval marked location.
5. Remove the template from the wall and insert the wall anchors (provided) into each drilled hole.
6. Place the mounting plate on the wall over the installed wall anchors. Insert screws through the mounting plate into the anchors. Tighten the screws.

## Cleaning Instructions:

To preserve the fine finish of this product, clean only with a soft damp cloth. Dry well. Do not use commercial or abrasive cleaners.

**Stock Number:** \_\_\_\_\_ **Glass Shelf w/ 13" Curved Towel Bar**  
By Creative Specialties



25300 AL MOEN DRIVE • NORTH OLMS TED, OH 44070  
CORPORATE HEADQUARTERS: (800) 321-8809 • FAX: (800) 848-6636  
INTERNATIONAL: (440) 962-2000 • FAX: (440) 962-2726  
CUSTOMER SERVICE (USA): 800-882-0116 • FAX: (888) 379-2720

©Copyright Creative Specialties International 2004

Literature #BA1195