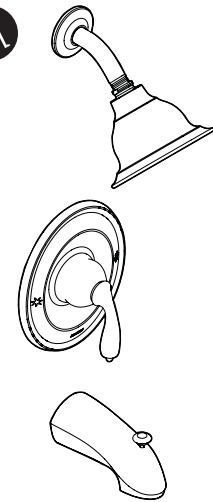




Buy it for looks. Buy it for life.®

# Specifications



## DESCRIPTION

- Metal and plastic construction with chrome plated or LifeShine® brushed nickel finish
- Pressure balancing cycle valve design with an adjustable temperature limit stop
- 1/2" IPS connections
- Includes showerhead, arm, flange, and diverter tub spout

## OPERATION

- Lever style handle
- Handle operates counterclockwise through a 270° arc with off at 6 o'clock and maximum hot at the 9 o'clock position. Shut off in clockwise direction
- Adjustable temperature limit stop to control maximum hot water temperature
- Pressure balancing mechanism maintains selected discharge temperature to ± 2°

## FLOW

- Showerhead is limited to 2.5 gpm (9.5 L/min)

## CARTRIDGE

- 1222 cartridge design
- Nonmetallic/nonferrous and stainless steel materials
- Accommodates back to back installations

## STANDARDS

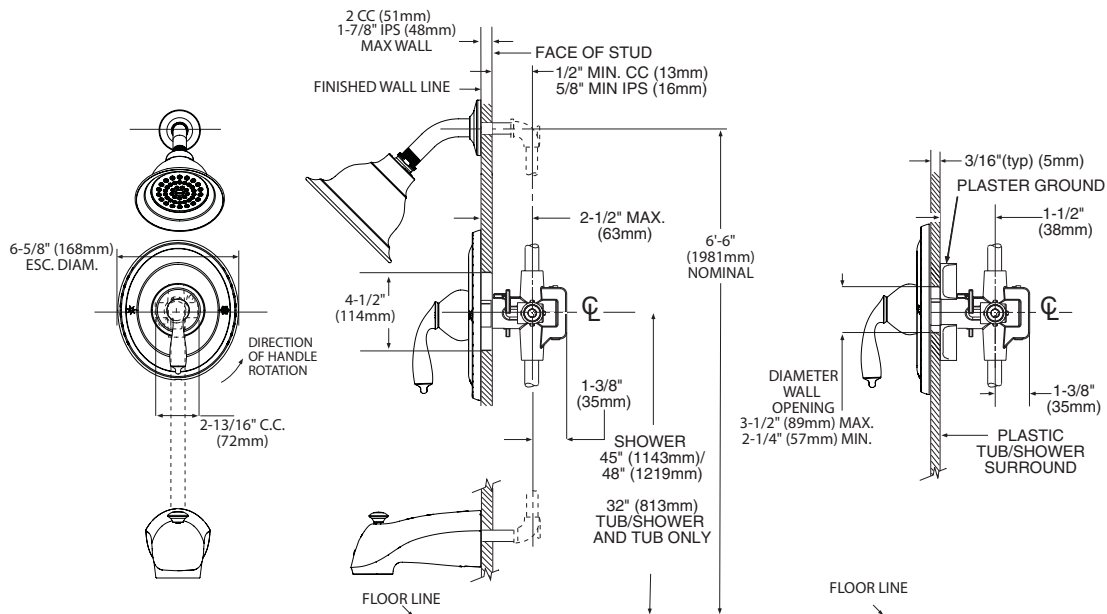
- Third party certified to meet ASME A112.18.1/CSA B-125, ICC A117.1 and all applicable requirements referenced therein

## WARRANTY

- Lifetime limited warranty against leaks, drips and finish defects to the original consumer purchaser
- 5 year warranty if used in commercial installations

## Bayhill™ Posi-Temp® Single-Handle Tub/Shower

Models: 82244, 82244BN



## CRITICAL DIMENSIONS

(DO NOT SCALE)