

DESCRIPTION

- Metal construction with chrome plated, LifeShine® brushed nickel, oil rubbed bronze, nickel or wrought iron finish
- Includes 10" rainfall showerhead, arm, flange and diverter tub spout
- For use with S935 valve

OPERATION

- Lever style handle with temperature indicator on the escutcheon, pull-on/push off operation
- Temperature operates through a 180° arc of handle travel (full cold to full hot)
- Adjustable temperature limit stop to control maximum hot water temperature
- Pressure balancing mechanism maintains selected discharge temperature to ± 2°

FLOW

- Showerhead is limited to 2.5 gpm max. (9.5 L/min)

CARTRIDGE

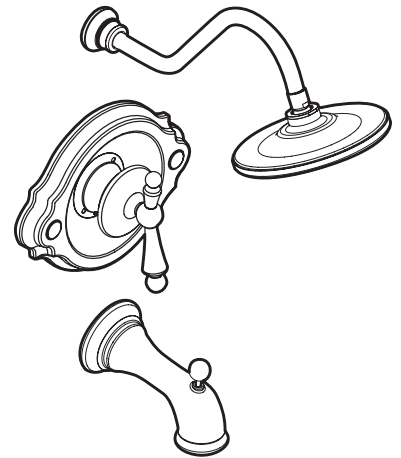
- 1225 cartridge design
- Nonmetallic/nonferrous and stainless steel materials
- Accommodates back to back installations

STANDARDS

- Third party certified to CSA B125, ASME A112.18.1M, ANSI A117.1 ASSE 1016, and all applicable requirements referenced therein

WARRANTY

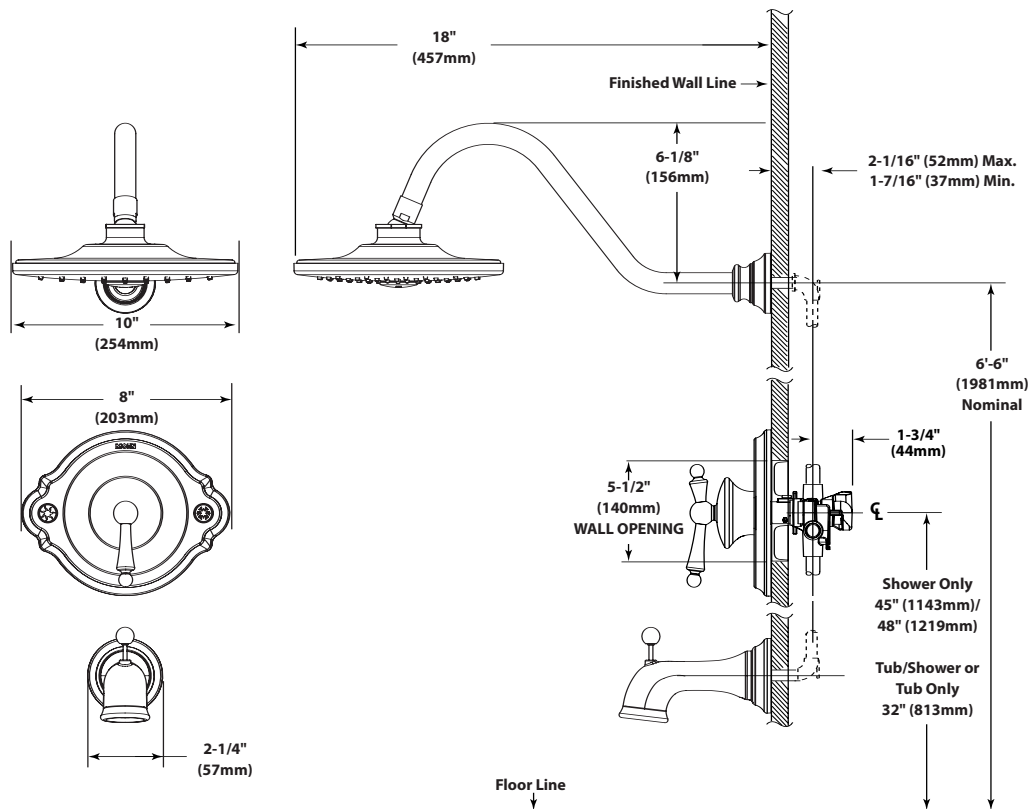
- Lifetime limited warranty against leaks, drips and finish defects to the original consumer purchaser
- 5 year warranty if used in commercial installations



WATERHILL™
Single-Handle Moentrol®
Tub/Shower Trim
Models: TS315, TS315BN, TS315ORB,
TS315NL, TS315WR



Applies to shower valve control only



CRITICAL DIMENSIONS
(DO NOT SCALE)