

**DESCRIPTION**

- Metal construction with various finishes identified by suffix
- For use with S936 3/4" thermostatic valve and S956 volume control valve with integral checkstops

**OPERATION**

- Flow lever operates counterclockwise through a 90 degree arc with off at 6 o'clock and maximum flow at the 3 o'clock position. Shut off in clockwise direction
- Temperature lever operates through a 340 degree arc with maximum cold at full clockwise rotation and maximum hot at full counterclockwise rotation
- Safety stop preset temperature at 105°F (41degrees C)
- Safety stop override allows maximum temperature at 120°F (49°C)
- Factory established temperature range from 70°F (21°C) to 120°F (49°C)

**FLOW**


- Showerhead is limited to 2.5 gpm (9.5 L/min)

**CARTRIDGE**

- 130156 thermostatic cartridge design with non metallic/nonferrous materials
- 130157 volume ceramic disc cartridge design

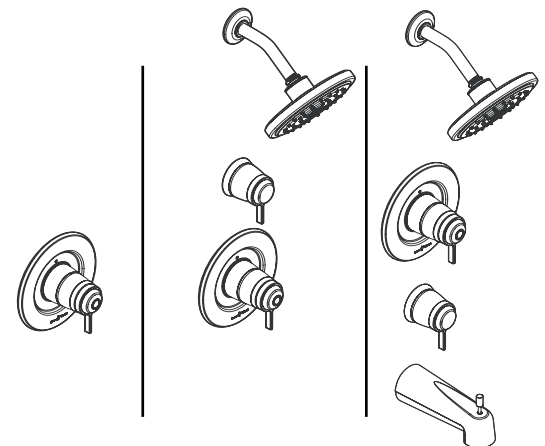
**STANDARDS**

- Third party certified to meet CSA B-125, ASME A112.18.1M and all applicable requirements referenced therein including ASSE1016

- **ADA**  for lever handles

**WARRANTY**

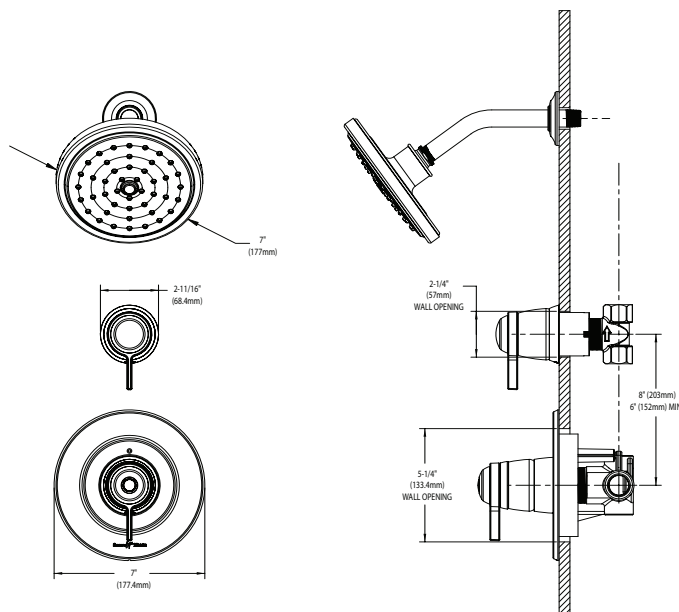
- Lifetime limited warranty against leaks, drips and finish defects to the original consumer purchaser
- 5 year warranty if used in commercial installation



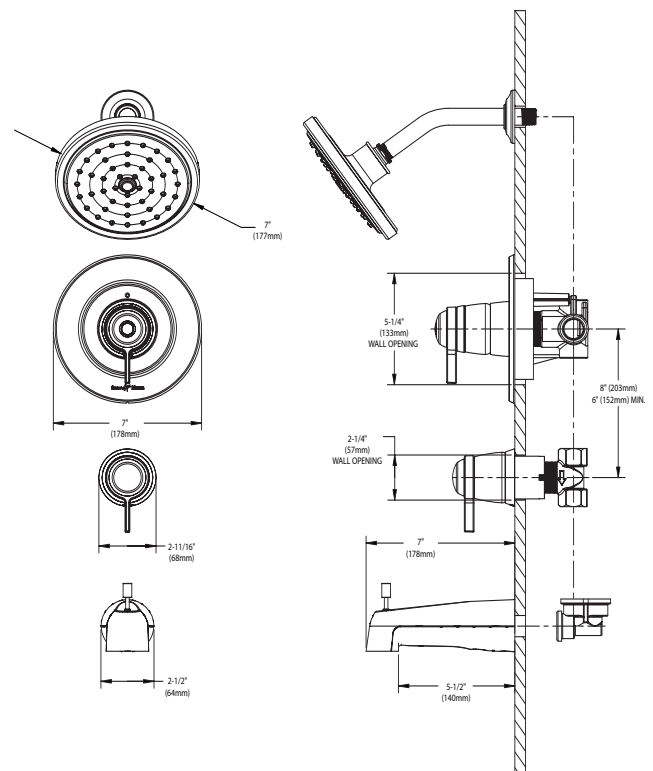
**Solace™**  
**ExactTemp® 3/4" Thermostatic**  
**Tub/Shower Trim**

**Models:** TS3710 series-valve trim only  
TS3712 series-shower trim only  
TS3716 series-tub/shower trim

**Valves:** S936 - thermostatic  
S956 - volume control



**SHOWER ONLY APPLICATION**



**TUB/SHOWER APPLICATION**

**CRITICAL DIMENSIONS**

(DO NOT SCALE)