



Buy it for looks. Buy it for life.®

# Specifications

## FAUCET DESCRIPTION

- Metal construction with chrome plated, antique nickel, oil rubbed bronze, wrought iron, LifeShine® brushed nickel or antique bronze finishes
- Includes showerhead, arm and flange

## OPERATION

- Handle operates counterclockwise through a 270° arc with off at 6 o'clock and maximum hot at the 9 o'clock position. Shut off in clockwise direction
- Adjustable temperature limit stop to control maximum hot water temperature
- Pressure balancing mechanism maintains selected discharge temperature to ± 2°

## FLOW

- Showerhead limited to 2.5 gpm (9.5 L/min)

## CARTRIDGE

- 1225 cartridge design
- Nonmetallic/nonferrous and stainless steel materials
- Accommodates back to back installations

## STANDARDS

- Third party certified to ASME A112.18.1/CSA B-125.1, ICC A117.1 and all applicable requirements referenced therein

## WARRANTY

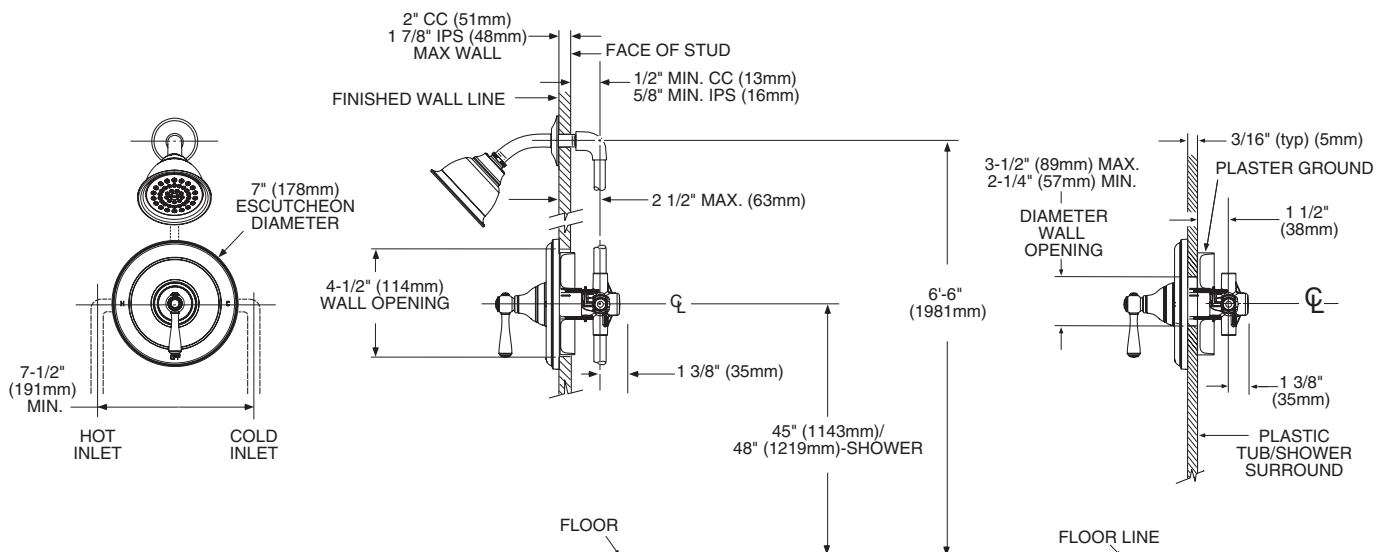
- Lifetime limited warranty against leaks, drips and finish defects to the original consumer purchaser
- 5 year warranty if used in commercial installations

ADA 



## KINGSLEY™ POSI-TEMP® Single-Handle Shower (Trim Only)

Models: T2112, T2112BN, T2112WR,  
T2112AN, T2112ORB, T2112AZ



### THICK WALL APPLICATION

### THIN WALL APPLICATION

## CRITICAL DIMENSIONS

(DO NOT SCALE)