

DESCRIPTION

- Metal construction with a chrome plated or LifeShine® polished brass finish
- 16" supplies
- Includes metal pop-up type waste assembly

OPERATION

- Acrylic knob style handle
- Pull-on/Push-off
- Temperature controlled through 180° degree arc of handle travel

FLOW

- Aerator is limited to 2.2 gpm max (8.3 L/min)

CARTRIDGE

- 1225 cartridge design
- Nonmetallic/nonferrous and stainless steel material
- Can accommodate reversed piping and back to back installations

STANDARDS

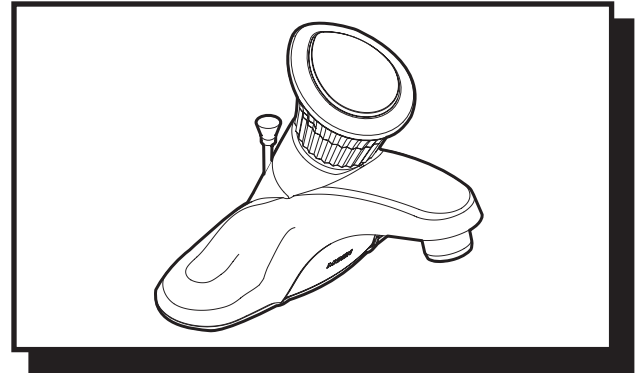
- Third party certified by CSA to meet CSA B-125, ASME A112.18.1M and all applicable requirements referenced therein
- Certified to ANSI/NSF 61/9
- Complies with California Proposition 65 and with the Federal Safe Water Drinking Act

WARRANTY

- Lifetime limited warranty against leaks, drips and finish defects to the original consumer purchaser
- 5 year warranty if used in commercial installations

NOTE: See reverse side for illustrated parts

NOTE: THIS FAUCET IS DESIGNED TO BE INSTALLED THRU 3-1" DIA. HOLES, 2" ON CENTER



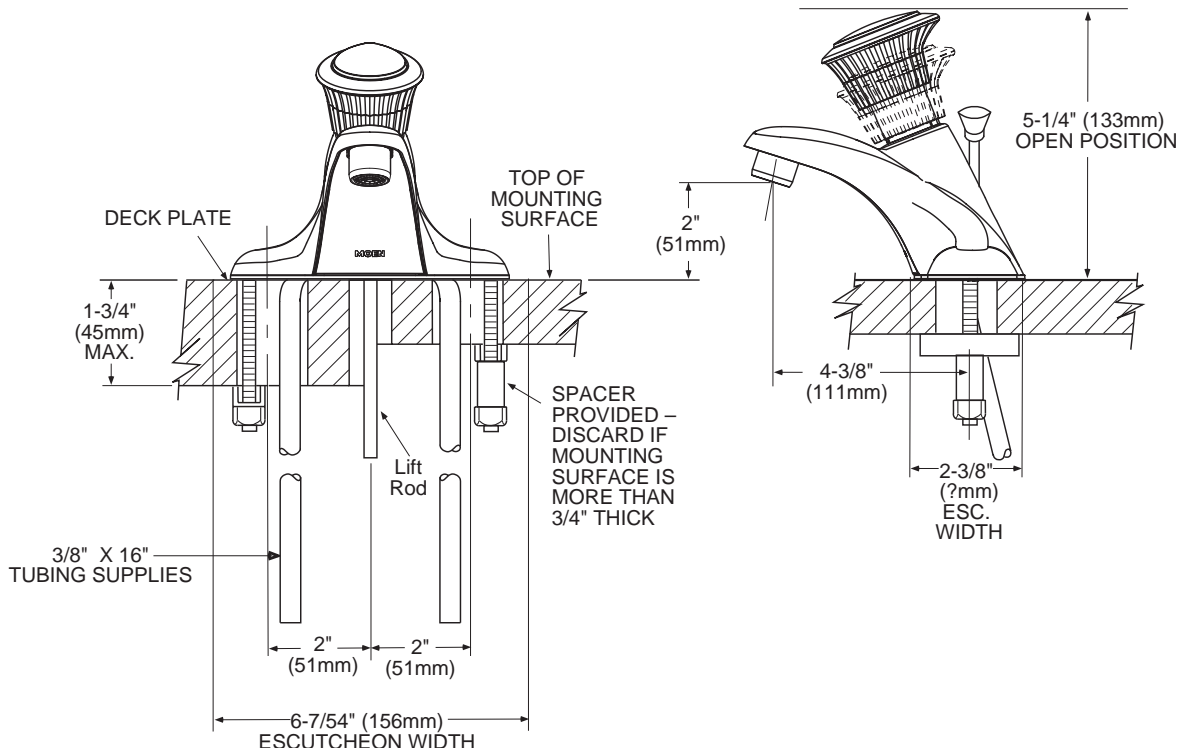
CHATEAU®
Single-Handle Lavatory Faucet
with Metal Waste Assembly
Model: 4625

Bulk Pack (12 Per Carton)
Models: 64624, 64625P

with 50/50 Waste Assembly
Bulk Pack (12 Per Carton)
Model: 64625

Less Waste
Model: 64600

Bulk Pack (12 Per Carton)
Model: 64600



CRITICAL DIMENSIONS

(DO NOT SCALE)

DESCRIPTION

- Metal construction with a chrome plated or decorative antique brass, LifeShine® polished brass or glacier finish
- 1/2" IPS connections
- Includes metal pop-up type waste assembly

OPERATION

- Knob style handle
- Pull-on/Push-off
- Temperature controlled through 180° degree arc of handle travel

FLOW

- Aerator is limited to 2.2 gpm max (8.3 L/min)

CARTRIDGE

- 1225 cartridge design
- Nonmetallic/nonferrous and stainless steel material
- Can accommodate reversed piping and back to back installations

STANDARDS

- Third party certified by CSA to meet CSA B-125, ASME A112.18.1M and all applicable requirements referenced therein
- Certified to ANSI/NSF 61/9
- Complies with California Proposition 65 and with the Federal Safe Water Drinking Act

WARRANTY

- Lifetime limited warranty against leaks, drips and finish defects to the original consumer purchaser
- 5 year warranty if used in commercial installations

NOTE: THIS FAUCET IS DESIGNED TO BE INSTALLED THRU 3-1" DIA. HOLES, 2" ON CENTER



CHATEAU®

Single-Handle Lavatory Faucet with Metal Waste Assembly

Models: 4621, 4621A, 4621S, 4621W,
4621CP, 4621P

Bulk Pack (12 Per Carton)

Models: 64620, 64621P, 64621W

with 50/50 Waste Assembly

Bulk Pack (12 Per Carton)

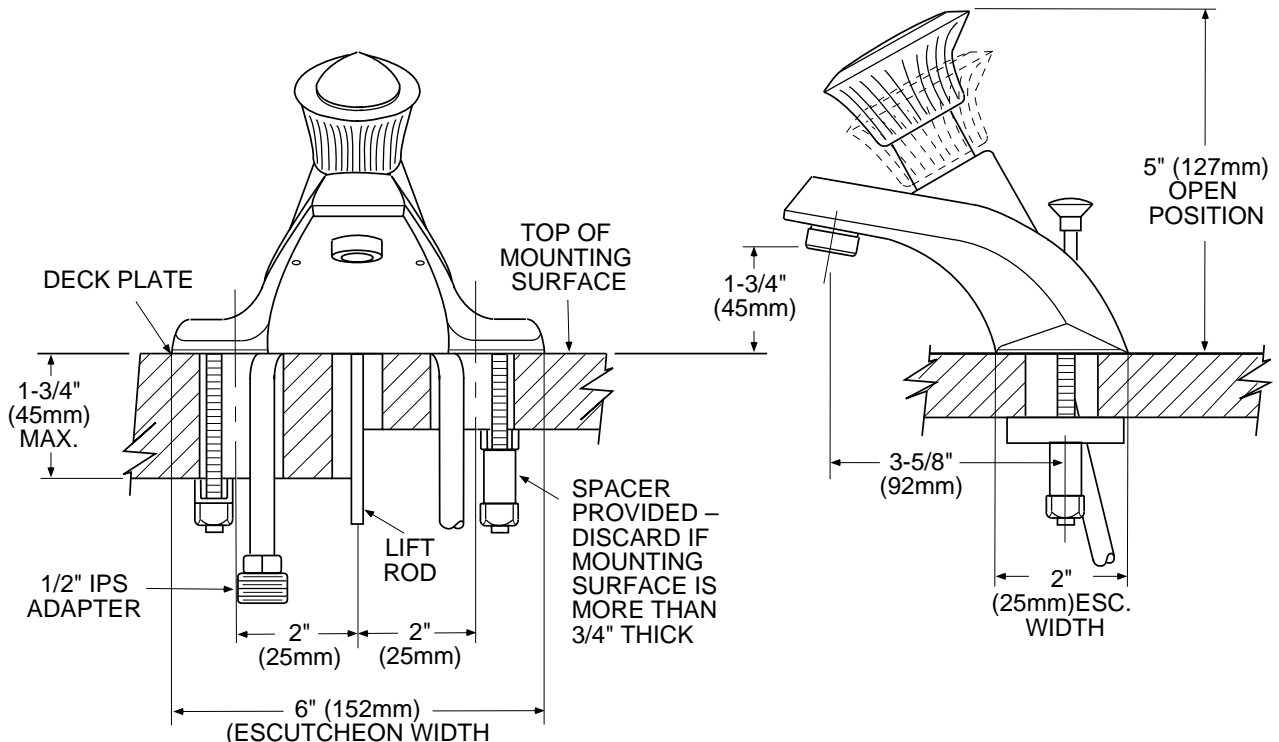
Model: 64621

Less Waste

Model: 4601

Bulk Pack (12 Per Carton)

Model: 64601



CRITICAL DIMENSIONS

(DO NOT SCALE)