



Buy it for looks. Buy it for life.®

# Specifications

## DESCRIPTION

- Metal construction with chrome plated, chrome w/porcelain, chrome w/LifeShine® polished brass accents, LifeShine® brushed nickel, satine or satine w/LifeShine® polished brass accents
- 1/2" IPS connections
- Includes metal pop-up waste assembly
- Includes hot (red) and cold (blue) temperature indicators

## OPERATION

- Lever style handles
- Maximum handle(s) rotation angle is 90° to full on
- Rotate hot side counterclockwise to open (clockwise to close)
- Rotate cold side clockwise to open (counterclockwise to close)

## FLOW

- Aerator is limited to 2.2 gpm max (8.3 L/min)

## CARTRIDGE

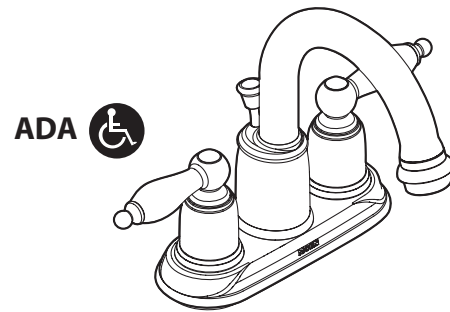
- 1224 cartridge design
- Nonmetallic and stainless steel material

## STANDARDS

- Third party certified to CSA B125, ASME A112.18.1M, ANSI A117.1, and all applicable requirements referenced therein
- Certified to ANSI/NSF 61/9
- Complies with California Proposition 65 and with the Federal Safe Drinking Water Act

## WARRANTY

- Lifetime limited warranty against leaks, drips and finish defects to the original consumer purchaser
- 5 year warranty if used in commercial installations

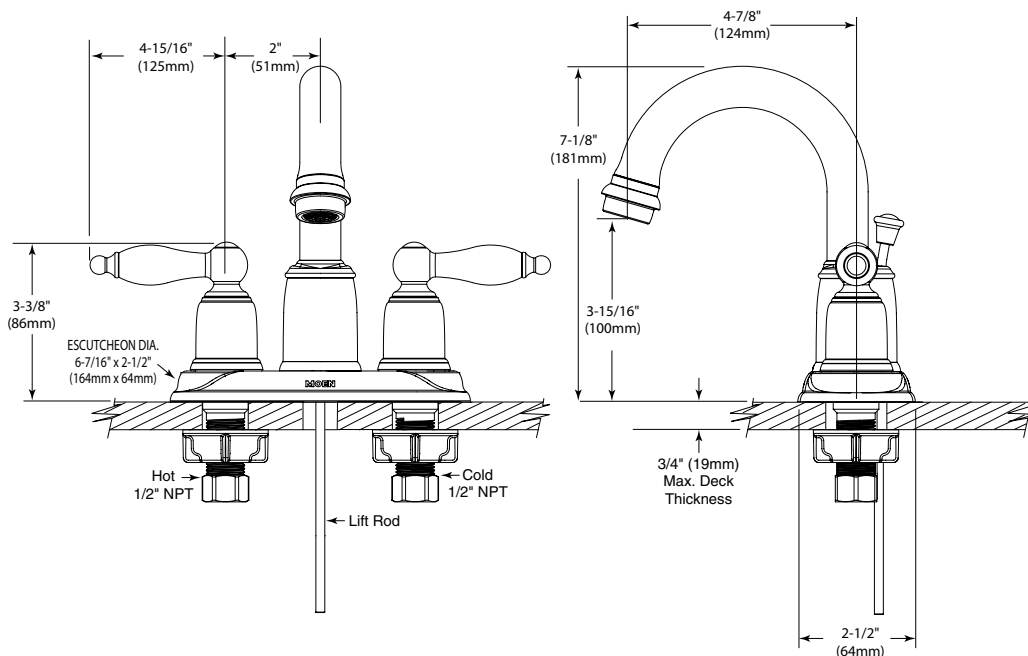


**CASTLEBY™**  
**4" Lavatory Faucet**  
**with Metal Waste Assembly**

**Models:** 4948, 4948BN, 4948CP,  
 4948CPC, 4948ST, 4948STST

**Model:** 64948  
**(Bulk packed 6 per carton)**

**NOTE:** THIS FAUCET IS DESIGNED TO BE  
 INSTALLED THRU 3 HOLES, 1" MIN. DIA.



## CRITICAL DIMENSIONS

(DO NOT SCALE)