



Buy it for looks. Buy it for life.®

**FAUCET DESCRIPTION**

- Metal construction with chrome, LifeShine® brushed nickel or oil rubbed bronze finish
- 1/2" IPS connections

**OPERATION**

- Lever style handles
- Maximum handle rotation angle is 90° to full on for either handle
- Hot side counterclockwise to open (clockwise to close)
- Cold side clockwise to open (counterclockwise to close)

**FLOW**

- Aerator is limited to 2.2 gpm max. (8.3 L/min).

**CARTRIDGE**

- 1224 cartridge design
- Nonmetallic, nonferrous and stainless steel material

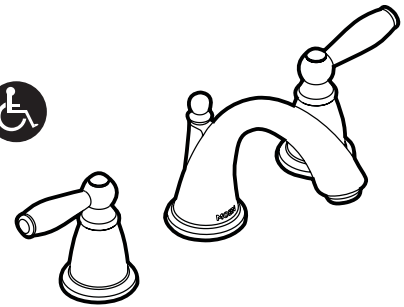
**STANDARDS**

- Third party certified to CSA B125, ASME A112.18.1M, ANSI A117.1 and all applicable requirements referenced therein
- Certified to ANSI/NSF 61/9
- Complies with California Proposition 65 and with the Federal Safe Drinking Water Act

**WARRANTY**

- Lifetime limited warranty against leaks, drips and finish defects to the original consumer purchaser
- 5 year warranty if used in commercial installations

# Specifications

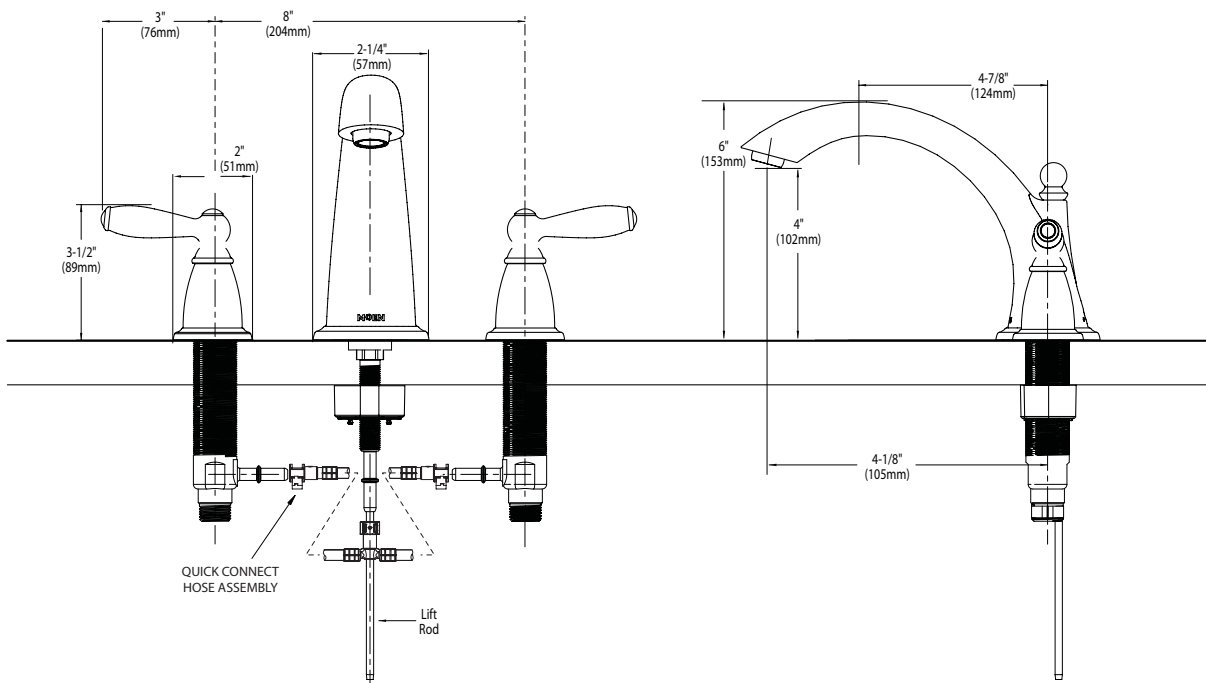


**BRANTFORD™**  
**Two Handle Widespread**  
**Lavatory Faucet**

**Models:** T6620, T6620BN, T6620ORB

**Valve:** 9000, 69000

**NOTE:** THIS FAUCET IS DESIGNED TO BE INSTALLED THRU 3 HOLES, 1-1/8" MIN. DIA.



**CRITICAL DIMENSIONS**

(DO NOT SCALE)

**FOR MORE INFORMATION CALL: 1-800-BUY-MOEN**

[www.moen.com](http://www.moen.com)