

DESCRIPTION

- Metal construction with chrome plated or LifeShine® brushed nickel finish
- 30" flexible supply lines with 3/8" fittings intended to connect directly to supply stops
- Includes metal pop-up waste assembly
- Designed to be installed through 1, 1-1/8" min. dia. hole

OPERATION

- Cross handles
- Maximum handle rotation angle is 90° to full on for either handle
- Rotate hot side handle counterclockwise to open and clockwise to close
- Rotate cold side handle clockwise to open and counterclockwise to close

FLOW

- Aerator is limited to 2.2 gpm max. (8.3 L/min)
- Features a laminar flow pattern for dramatic water presentation

CARTRIDGE

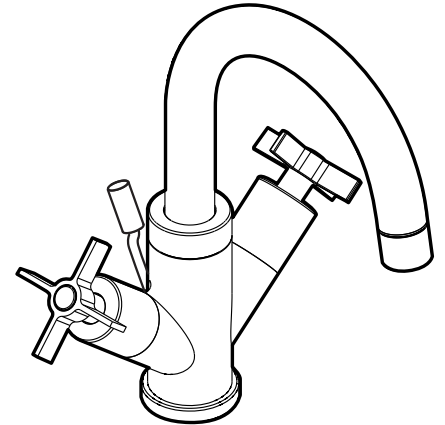
- 1224 cartridge design with nonmetallic/nonferrous and stainless steel materials

STANDARDS

- Third party certified to CSA B125, ASME A112.18.1M, ANSI A117.1 and all applicable requirements referenced therein
- Certified to ANSI/NSF 61/9
- Complies with California Proposition 65 and with the Federal Safe Drinking Water Act

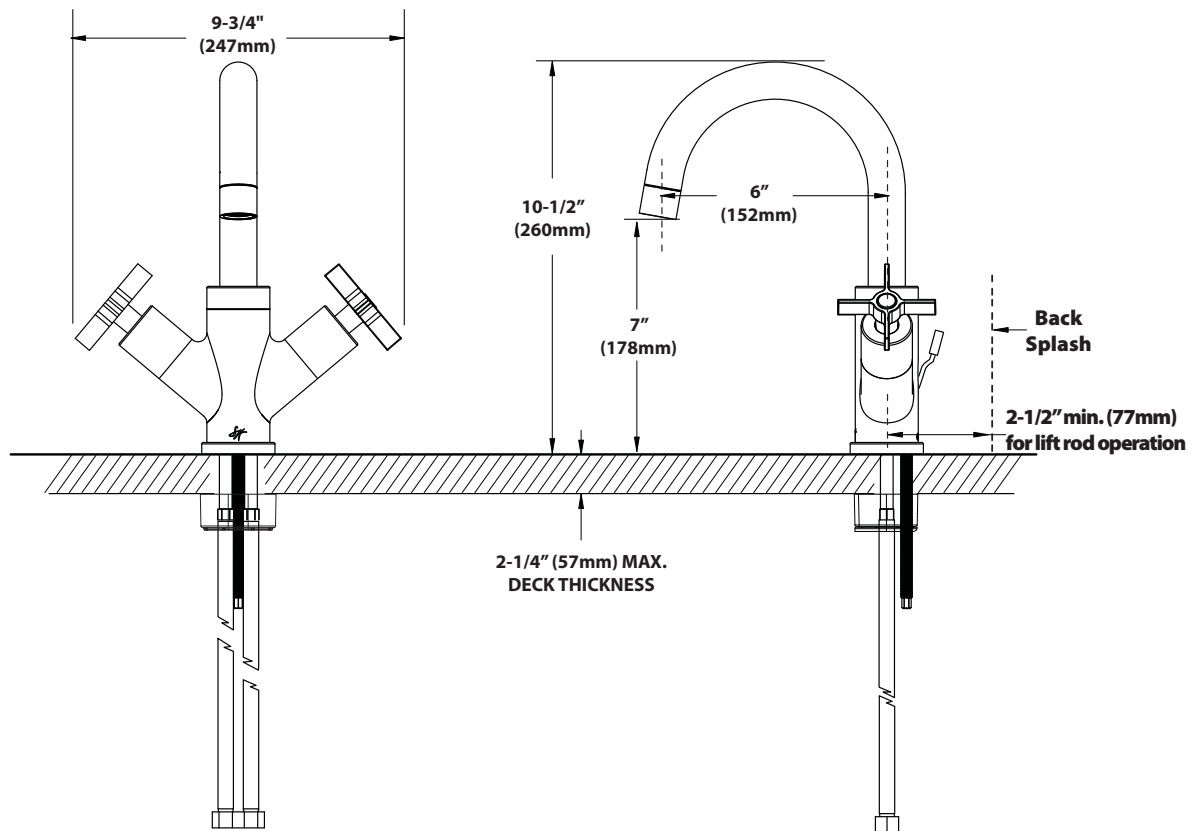
WARRANTY

- Lifetime limited warranty against leaks, drips and finish defects to the original consumer purchaser
- 5 year warranty if used in commercial installations



Solace™
Two-Handle Single Mount
Lavatory Faucet

Models: S4711, S4711BN



CRITICAL DIMENSIONS

(DO NOT SCALE)