

**DESCRIPTION**

- Solid brass body with chrome plated finish
- Sleek modern styling
- Single hole faucet application
- Includes metal waste assembly

**OPERATION**

- Adjustable infrared sensor (range, turnoff delay and obstruction delay)
- Temperature controlled with below deck mixing tee
- Battery powered (AC optional)

**FLOW**

- Aerator is limited to 1.32gpm max. (5.0L/min.)

**VALVES**

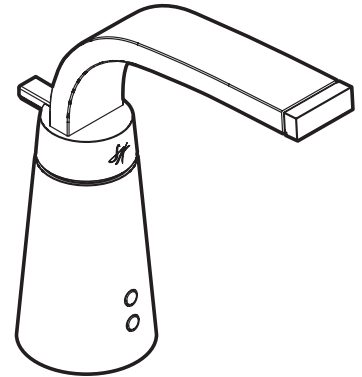
- In-line filter included
- Slow close solenoid valve

**STANDARDS**

- Third party certified to: ASME A112.18.1, ICC 117.1 and all applicable requirements referenced therein

**WARRANTY**

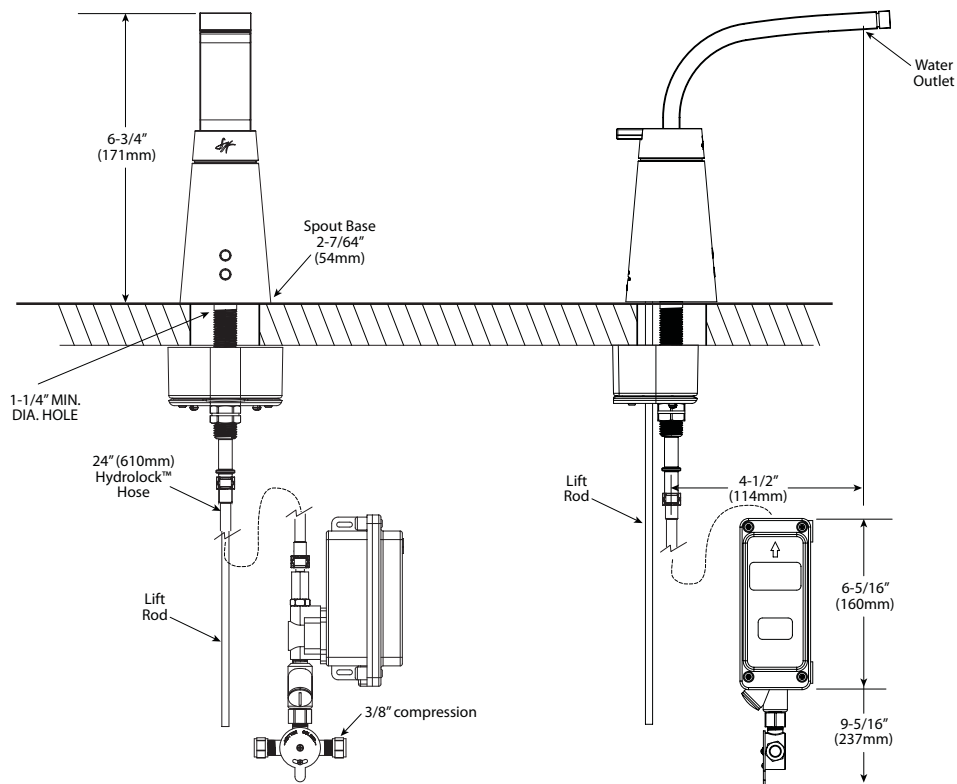
- Lifetime limited warranty against leaks, drips and finish defects to the original consumer purchaser
- 5 year warranty if used in commercial installations
- 1 year warranty on electronic components



**Destiny™  
Single Hole Electronic Lavatory Faucet**

**Model: S899**

**NOTE: DESIGNED TO INSTALL THRU ONE  
1-1/4" MIN. DIA. HOLE**



**CRITICAL DIMENSIONS**

(DO NOT SCALE)