



Buy it for looks. Buy it for life.®

# Specifications

## SINK DESCRIPTION

- Manufactured of 20 gauge, type 301 nickel-bearing stainless steel
- The large bowl is a minimum of 12" x 10" x 5-1/2"
- The sink ledge has two fixture mounting holes, 1-11/32" in diameter and 4" on center
- Has one 2" diameter SEALTITE recessed drain
- Soundshield undercoating maximizes sound deadening and inhibits condensation
- The exposed surfaces are polished to a lustrous satin tone finish
- Includes all necessary mounting hardware

## CUT OUT DIMENSIONS

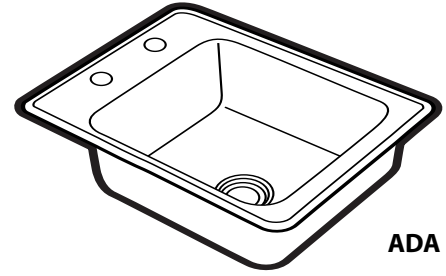
- Cut out dimensions are 12-1/2" x 16-5/8", with a 3/4" corner radius. A tolerance of plus or minus 1/16" is acceptable

## STANDARDS

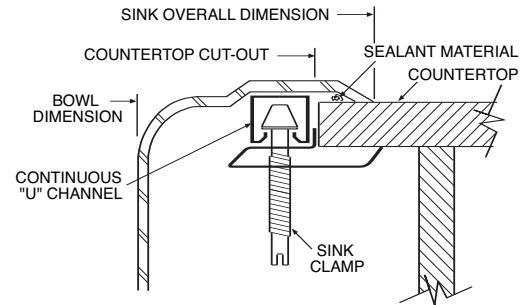
- Third party certified by IAPMO to meet ASME A112.19.3 and all applicable specifications referenced therein. Also meets applicable requirements of ANSI A117.1

## WARRANTY

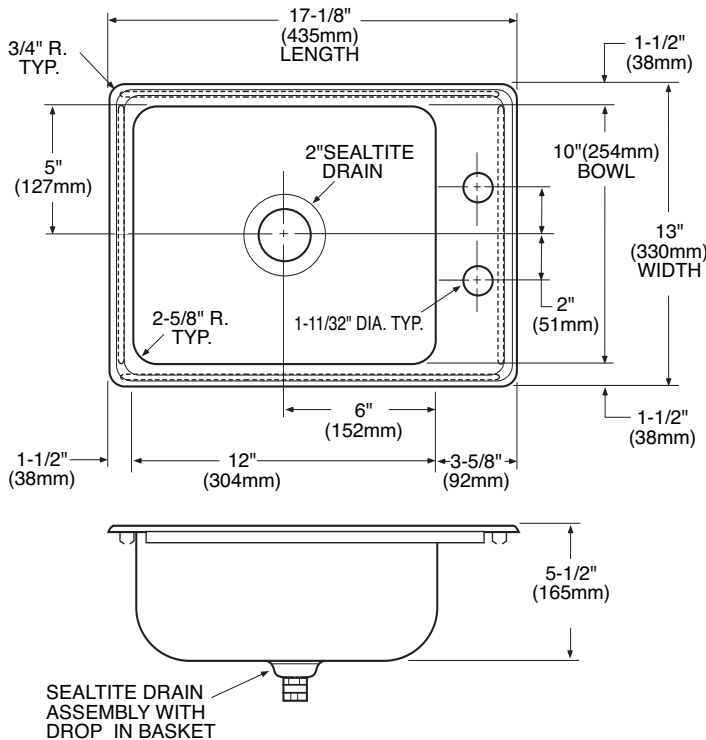
- Warranted for ten years against material or manufacturing defects



**Camelot®**  
**Single Bowl Bar Sink**  
**Model: 22246**  
**(K-1317-2)**



## Installation Detail



## CRITICAL DIMENSIONS

(DO NOT SCALE)

FOR MORE INFORMATION CALL: 1-800-BUY-MOEN

www.moen.com