



Buy it for looks. Buy it for life.®

# Specifications

## FAUCET DESCRIPTION

- Metal construction with Chrome, Oil-Rubbed Bronze, LifeShine® Stainless Steel or Pewter finish
- 1/2" IPS connections
- Includes hot and cold indicators

## OPERATION

- Lever style handles
- Maximum handle rotation angle is 90° to full on for either handle
- Hot side counterclockwise to open (clockwise to close)
- Cold side clockwise to open (counterclockwise to close)

## FLOW

- Aerator is limited to 2.2 gpm (8.3 L/min).

## CARTRIDGE

- 1224 cartridge design
- Nonmetallic, nonferrous and stainless steel material

## STANDARDS

- Third party certified to CSA B125, ASME A112.18.1M, ANSI A117.1 and all applicable requirements referenced therein
- Certified to ANSI/NSF 61/9
- Complies with California Proposition 65 and with the Federal Safe Drinking Water Act

## WARRANTY

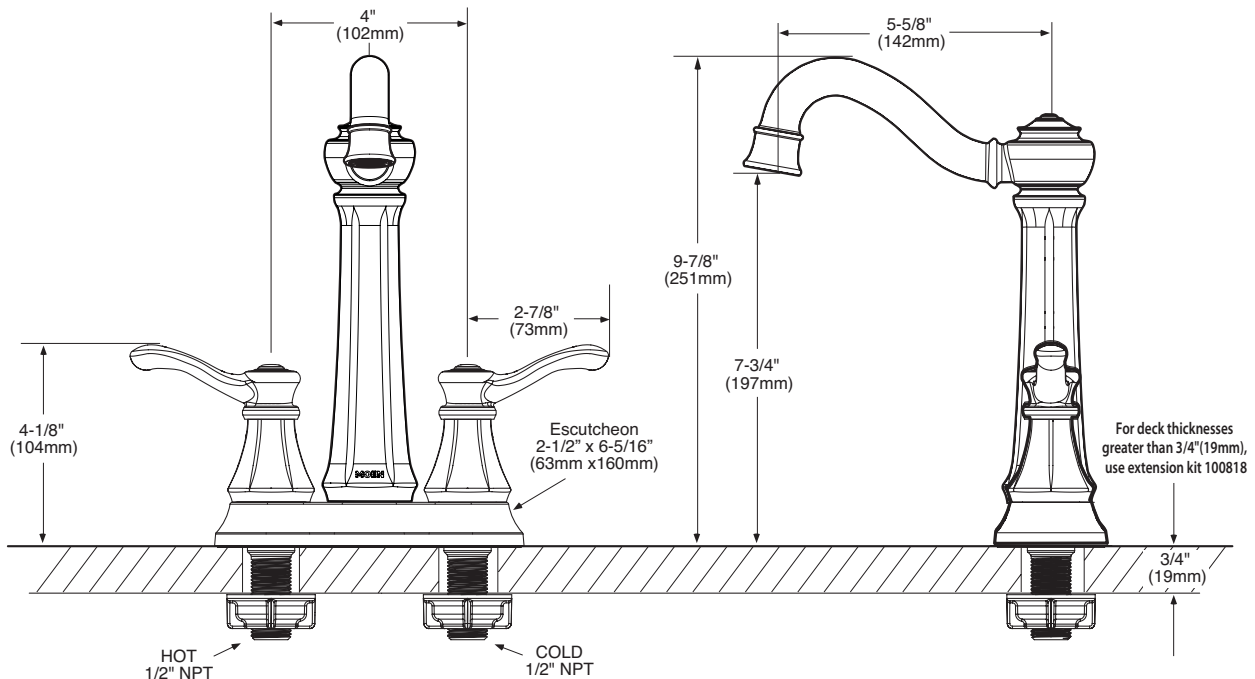
- Lifetime limited warranty against leaks, drips and finish defects to the original consumer purchaser
- 5 year warranty if used in commercial installations



**Vestige™  
Two Handle Bar Faucet**

**Models:** 5994, 5994SL, 5994ORB, 5994PW

**NOTE:** THIS FAUCET IS DESIGNED TO BE INSTALLED THRU 2 HOLES, 4" (102mm) ON CENTER



## CRITICAL DIMENSIONS

(DO NOT SCALE)