



Buy it for looks. Buy it for life.®

FAUCET DESCRIPTION

- Metal construction with various finishes identified by suffix
- Inlet shanks will accept 3/8" ball nose connections
- Includes side spray

OPERATION

- Lever style handle
- Pull-on/Push-off
- Operates with less than 5 lbs. of force


FLOW

- Aerator is limited to 2.2 gpm max (8.3 L/min)

CARTRIDGE

- 1225 cartridge design
- Nonmetallic/nonferrous and stainless steel materials

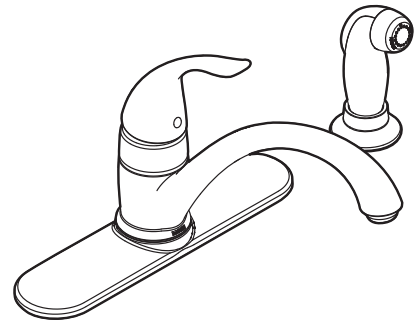
STANDARDS

- Third party certified to: CSA B125.1, ASME A112.18.1, ICC A117.1 and all applicable requirements referenced therein.
- Certified to ANSI/NSF 61/9
- Complies with California Proposition 65 and with the Federal Safe Water Drinking Act
- **ADA**  for lever handles

WARRANTY

- Lifetime limited warranty against leaks, drips and finish defects to the original consumer purchaser
- 5 year warranty if used in commercial installations

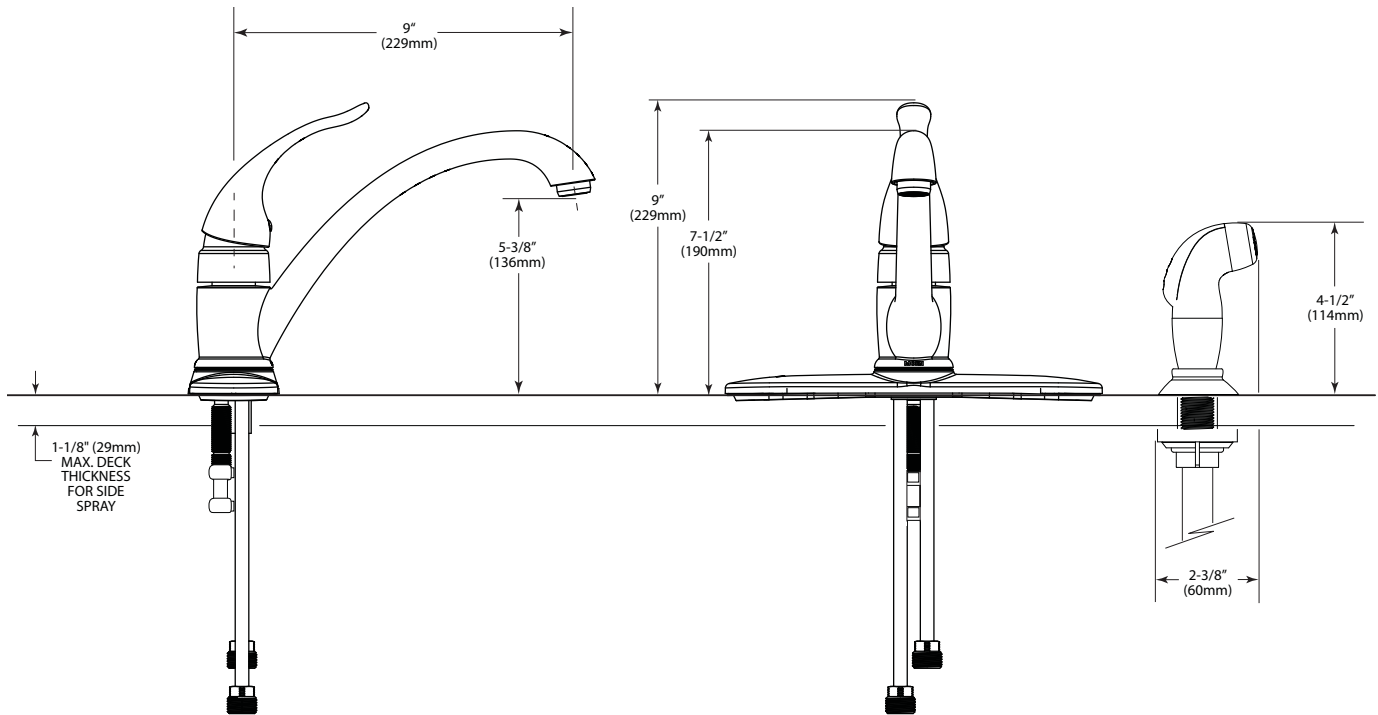
Specifications



Single Handle Lever Kitchen Faucet with Protégé® Side Spray

Models: 87480, 87480SL
87485 - Less Side Spray

NOTE: DESIGNED TO INSTALL THROUGH 4 HOLES 1-1/4" (32mm) MIN. DIA. AND 4" (102mm) ON CENTER. Also has single hole mount capability.



CRITICAL DIMENSIONS

(DO NOT SCALE)

FOR MORE INFORMATION CALL: 1-800-BUY-MOEN

www.moen.com