

DESCRIPTION

- Metal construction with a chrome plated or LifeShine® Brushed Nickel finish for use with S956 valve

OPERATION

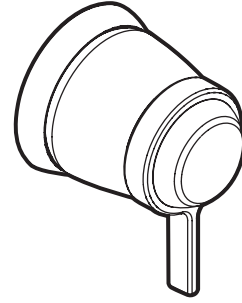
- Lever style handle operation

STANDARDS

- Third party certified by CSA to meet CSA B-125, ASME A112.18.1M and all applicable requirements referenced therein

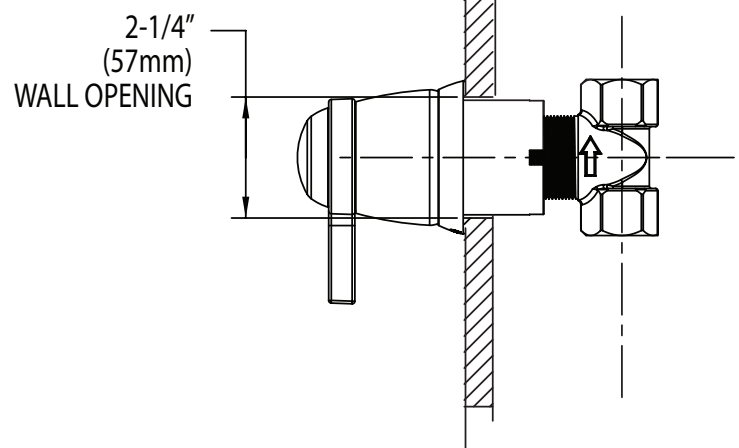
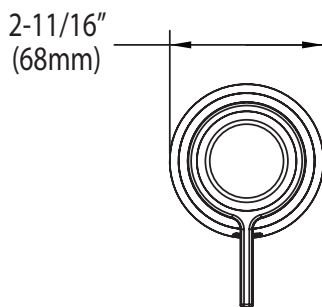
WARRANTY

- Lifetime limited warranty against leaks, drips and finish defects to the original consumer purchaser
- 5 year warranty if used in commercial installations



**SOLACE™
Single Function Flow Valve Trim**

Models: TS574, TS574BN
Valve: S956



CRITICAL DIMENSIONS

(DO NOT SCALE)