

# KITCHEN FAUCETS

- Grail™ Series
- Single Handle
- Deck Mount
- 1 Hole Sink Applications

Submitted Model No.: \_\_\_\_\_

Specific Features: \_\_\_\_\_


## STANDARD SPECIFICATIONS:

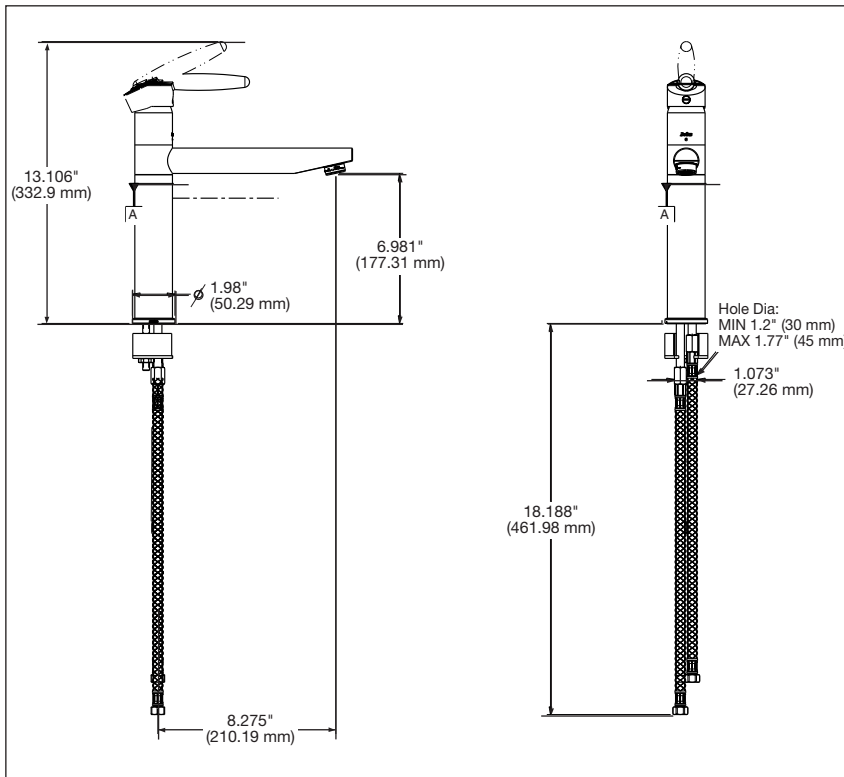
- Single handle kitchen faucet.
- Ceramic cartridge.
- 1 hole installation.
- 8.275" (210 mm) long reach on spout.
- Maximum 1.890" (48 mm) deck thickness.
- Colour coded plug button on handle for hot/cold identification.

## WARRANTY

- Lifetime Faucet and Finish Limited Warranty to the original consumer purchaser to be free from defects in material and workmanship.
- 5 Year Limited Warranty for usage in all industrial, commercial and business applications.

## COMPLIES WITH:

- CSA Certified
- Complies to ANSI/ASME Standard A112.18.1M
-  ADA Compliant and meets Handicapped Accessibility. Standards ICC/ANSI 117.1
- NSF 61



Delta reserves the right (1) to make changes in specifications and materials, and (2) to change or discontinue models, both without notice or obligation. Dimensions are for reference only. See current full-line price book or [www.specselectonline.com](http://www.specselectonline.com) for finish options and product availability.



55 E, 111th Street, Indianapolis, IN 46280  
 395 Matheson Blvd. E., Mississauga, ON L4Z 2H2  
 © 2006 Masco Corporation of Indiana