

## DESCRIPTION

- Metal construction with various finishes identified by suffix
- Includes 10" rainfall showerhead, arm, flange and diverter tub spout
- For use with S932 1/2" CC valve

## OPERATION

- Lever style handle with temperature indicator on the escutcheon, pull-on/push off operation
- Temperature operates through a 180° arc of handle travel (full cold to full hot)
- Adjustable temperature limit stop to control maximum hot water temperature
- Pressure balancing mechanism maintains selected discharge temperature to  $\pm 3.6^{\circ}\text{F}$  ( $\pm 2^{\circ}\text{C}$ )


## FLOW

- Showerhead is limited to 2.5 gpm max. (9.5 L/min)

## CARTRIDGE

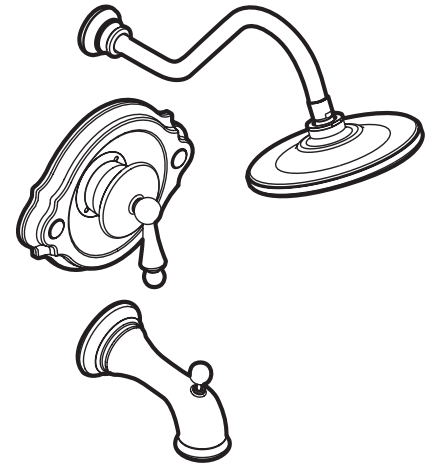
- 1225 cartridge design
- Nonmetallic/nonferrous and stainless steel materials
- Accommodates back to back installations

## STANDARDS

- Third party certified to CSA B125, ASME A112.18.1M, ANSI A117.1 ASSE 1016, and all applicable requirements referenced therein
- ADA  for level handle

## WARRANTY

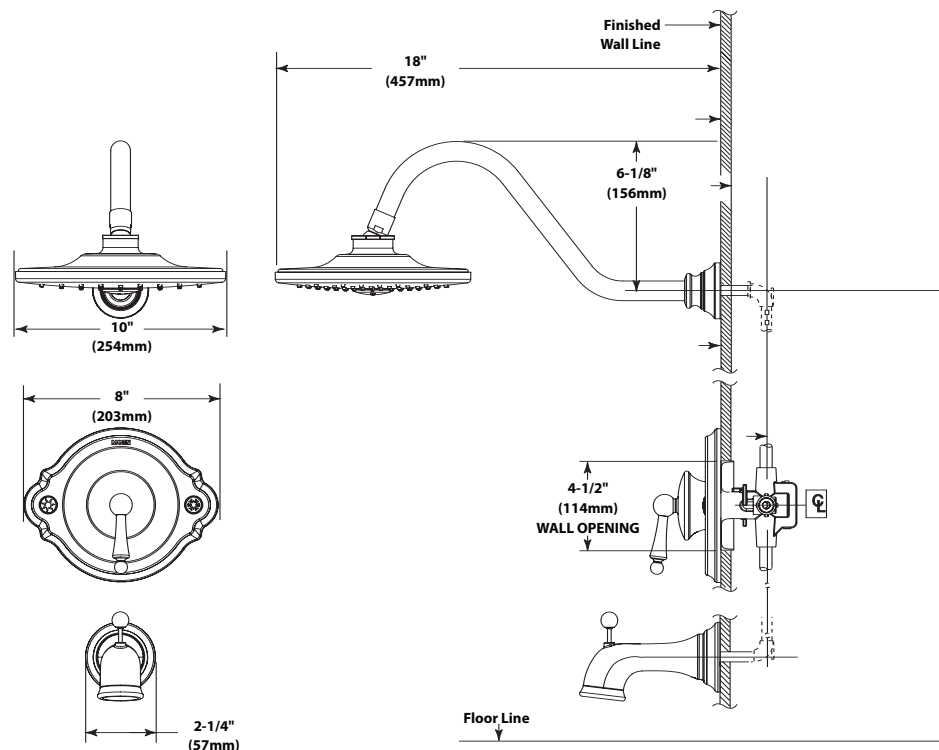
- Lifetime limited warranty against leaks, drips and finish defects to the original consumer purchaser
- 5 year warranty if used in commercial installations



## WATERHILL™ POSI-TEMP® Single-Handle Tub/Shower (Trim Only)

**Models:** TS310 series-valve trim only  
TS312 series-shower trim only  
TS314 series-tub/shower trim

**Valves:** S932



## CRITICAL DIMENSIONS

(DO NOT SCALE)