



Buy it for looks. Buy it for life.®

There is more than 1 version of this model.  
Page down to identify the version you have.

**DESCRIPTION**

- Metal construction with a chrome plated, decorative antique brass, LifeShine® polished brass, sand or glacier finish
- Installed on 6" (152mm) to 16" (406mm) centers
- 1/2" IPS connections will accept standard ball nose connection for 3/8" tubing
- Diverter valve includes an integral vacuum breaker
- Includes metal pop-up type waste assembly

**OPERATION**

- Knob style handles
- Operate by rotating either knob counterclockwise to open and clockwise to close
- Water flow is diverted by turning the knob clockwise for rim fill and counterclockwise for rosetta spray

**CARTRIDGE**

- 94831 diverter cartridge
- 1224 cartridge design for hot and cold valves
- Nonmetallic and stainless steel material

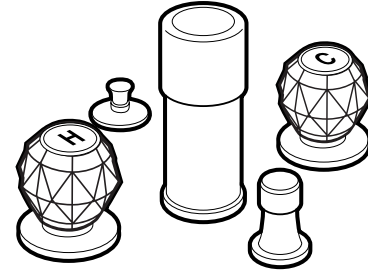
**STANDARDS**

- Third party certified by CSA to meet CSA B-125, ASME A112.18.1M and all requirements referenced therein

**WARRANTY**

- Lifetime limited warranty against leaks, drips and finish defects to the original consumer purchaser
- 5 year warranty if used in commercial installations

# Specifications



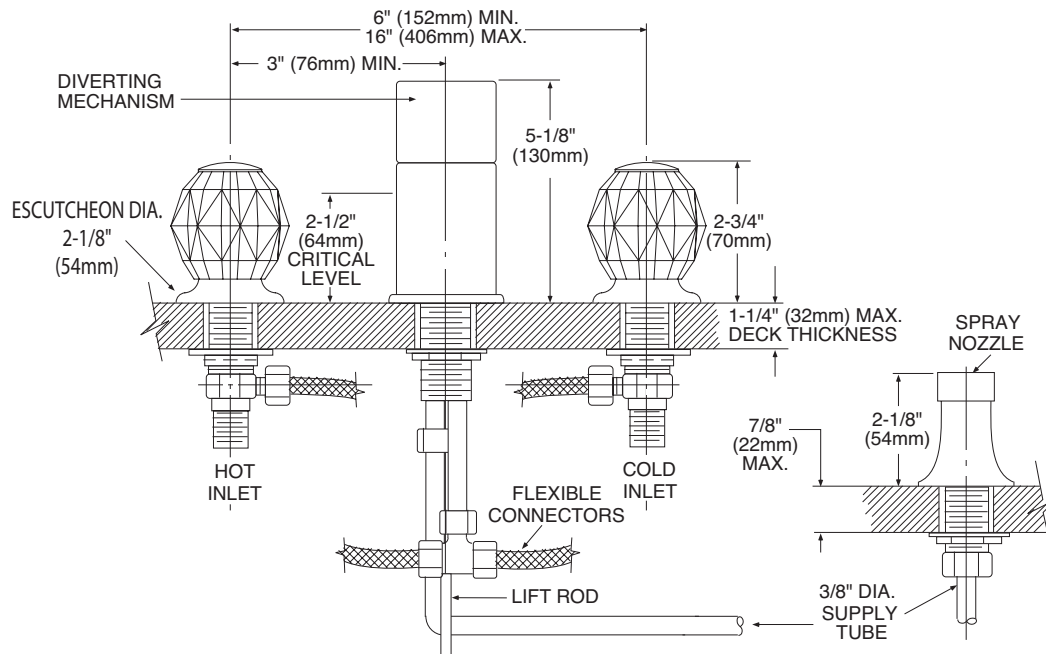
**CHATEAU®  
Two Handle Bidet**

**Model: 5200**

**Discontinued Models: 5200S, 5200A,  
5200P, 5200S, 5200W**

**NOTE:** Can not be used with Non Rim Flush Bidet Fixtures

**NOTE:** Minimum Diameter Holes for Installation  
Diverter Valve - 1" (25mm)  
Handle Valves - 1-1/8" (29mm)  
Spray Nozzle - 5/8" (16mm)  
Lift Rod Escutcheon - 1/2" (13mm)



**CRITICAL DIMENSIONS**

(DO NOT SCALE)



Buy it for looks. Buy it for life.®

# Specifications

## DESCRIPTION

- Metal construction with a chrome plated, decorative antique brass, LifeShine® polished brass, sand or glacier finish
- Installed on 6" (152mm) to 16" (406mm) centers
- 1/2" IPS connections will accept standard ball nose connection for 3/8" tubing
- Diverter valve includes an integral vacuum breaker
- Includes metal pop-up type waste assembly

## OPERATION

- Knob style handles
- Operate by rotating either knob counterclockwise to open and clockwise to close
- Water flow is diverted by turning the knob clockwise for rim fill and counterclockwise for rosetta spray

## CARTRIDGE

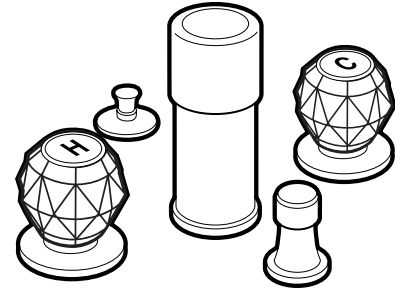
- 94831 diverter cartridge
- 1224 cartridge design for hot and cold valves
- Nonmetallic and stainless steel material

## STANDARDS

- Third party certified by CSA to meet CSA B-125, ASME A112.18.1M and all requirements referenced therein

## WARRANTY

- Lifetime limited warranty against leaks, drips and finish defects to the original consumer purchaser
- 5 year warranty if used in commercial installations

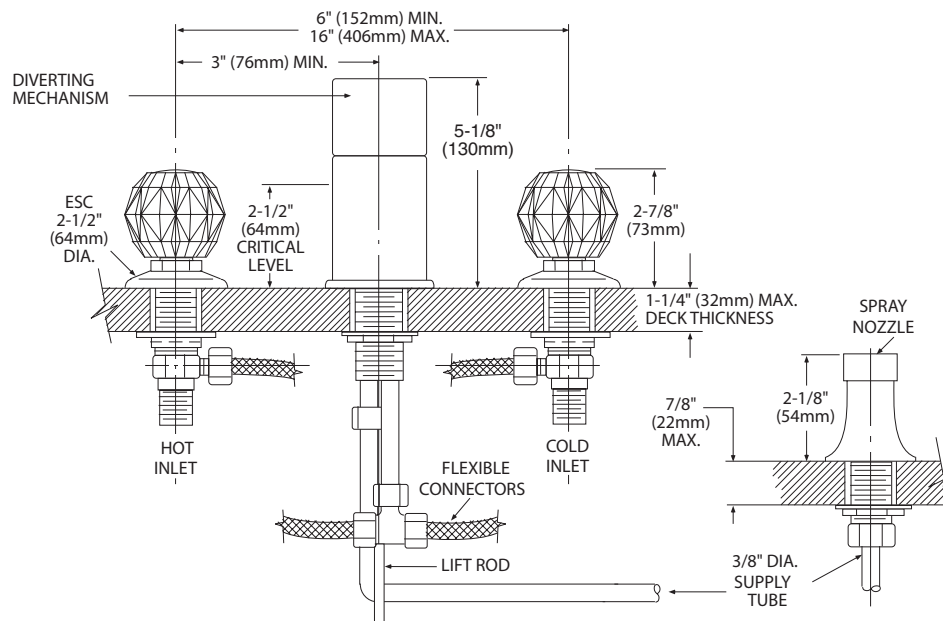


## CHATEAU® Two Handle Bidet

Model: 5200

**Discontinued Models:** 5200S, 5200A, 5200P, 5200S, 5200W

**NOTE:** Minimum Diameter Holes for Installation  
 Diverter Valve - 1" (25mm)  
 Handle Valves - 1-1/8" (29mm)  
 Spray Nozzle - 5/8" (16mm)  
 Lift Rod Escutcheon - 1/2" (13mm)



## CRITICAL DIMENSIONS

(DO NOT SCALE)