



Buy it for looks. Buy it for life.®

Specifications

DESCRIPTION

- Metal construction with chrome, chrome w/LifeShine® polished brass accents, or LifeShine® brushed nickel finish
- Installed on 6" (152mm) to 16" (406mm) centers
- 1/2" IPS connections will accept standard ball nose connection for 3/8" tubing
- Diverter valve includes an integral vacuum breaker
- Includes metal pop-up type waste assembly
- Includes hot and cold temperature indicators

OPERATION

- Lever style handles, 180° rotation (less handle inserts)
- Hot side counterclockwise to open (clockwise to close)
- Cold side clockwise to open (counterclockwise to close)
- Water flow is diverted by turning the knob counterclockwise for fill and clockwise for rosetta spray

CARTRIDGE

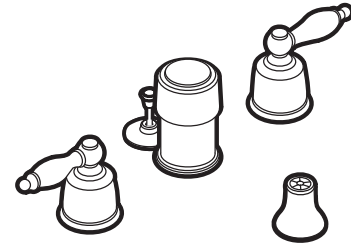
- 94831 diverter cartridge
- 1224 cartridge design for hot and cold valves
- Nonmetallic and stainless steel material

STANDARDS

- Third party certified by CSA to meet CSA B-125, ASME A112.18.1M and all requirements referenced therein

WARRANTY

- Lifetime limited warranty against leaks, drips and finish defects to the original consumer purchaser
- 5 year warranty if used in commercial installations



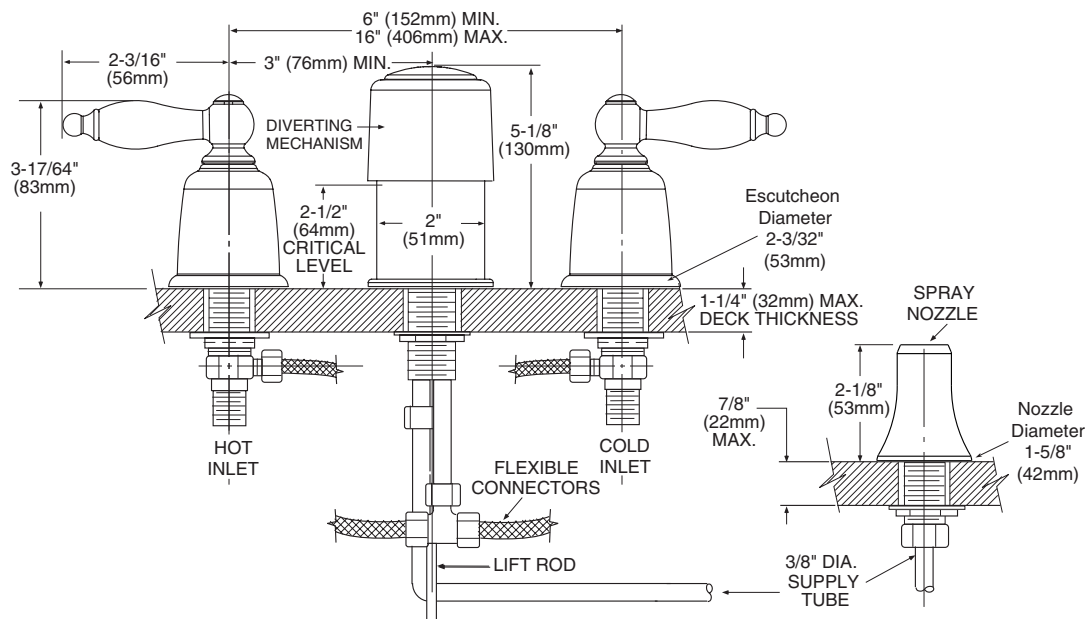
CASTLEBY™ Two Handle Bidet with Metal Waste Assembly

Models: T5230, T5230BN, T5230CP,
Valve: 9200

Discontinued Model: T5230P,
T5230CPC, T5230ST

NOTE: The 9200 valve cannot be used with Non Rim Flush Bidet Fixtures

NOTE: Minimum Diameter Holes for Installation
Diverter Valve - 1" (25mm)
Handle Valves - 1-1/8" (29mm)
Spray Nozzle - 5/8" (16mm)
Lift Rod Escutcheon - 1/2" (13mm)



CRITICAL DIMENSIONS

(DO NOT SCALE)