



Buy it for looks. Buy it for life.®

Specifications

DESCRIPTION

- Metal and plastic construction with chrome plated, Platinum, glacier, LifeShine® polished brass or LifeShine® Satine finish
- For installations from 8" (203mm) to 10" (254mm) centers
- Designed to be installed on decks up to 2-1/8" (54mm)
- The tub fill spout is a slip fit design and the supplies are 1/2" type K, copper tubing

OPERATION

- Metallic lever style handles
- Maximum handle rotation is 180° to full on with either handle
- Rotate hot side counterclockwise to open (clockwise to close) and rotate cold side clockwise to open (counterclockwise to close)
- Includes hot (red) and cold (blue) temperature indicators

FLOW

- Designed to deliver 18 gpm at 40 psi.

CARTRIDGE

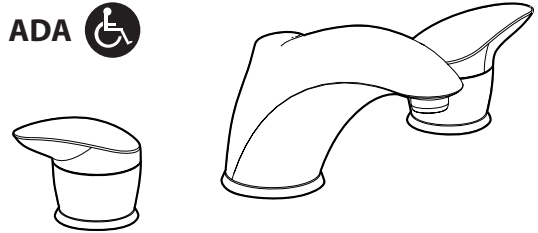
- 1248 cartridge design
- Nonmetallic and stainless steel material

STANDARDS

- Designed and manufactured to comply with the applicable requirements of: CSA B-125 and ASME A112.18.1M and all applicable requirements referenced therein and complies with the applicable requirements of ANSI A117.1

WARRANTY

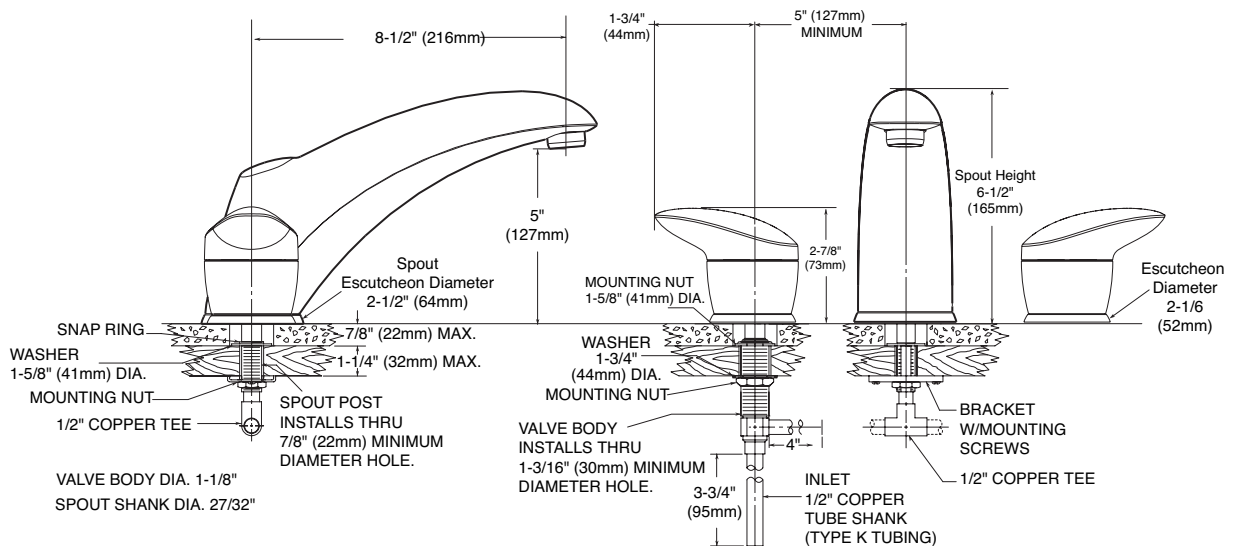
- Lifetime limited warranty against leaks, drips and finish defects to the original consumer purchaser
- 5 year warranty if used in commercial installations



Villeta™ Deck Mount Two-Handle Roman Tub Faucet

Models: TL940, TL940CP, TL940PM, TL940W, TL940P, TL940ST, L86940, L86940CP, L86940PM, L86940ST

Valve: 4999, 64999, 4997, 64997



NOTE: THE INSTALLATION SHOWN IS FOR TILE DECKS, THIS VALVE WILL ALSO FIT STEEL, CAST IRON OR PLASTIC DECKS

CRITICAL DIMENSIONS

(DO NOT SCALE)