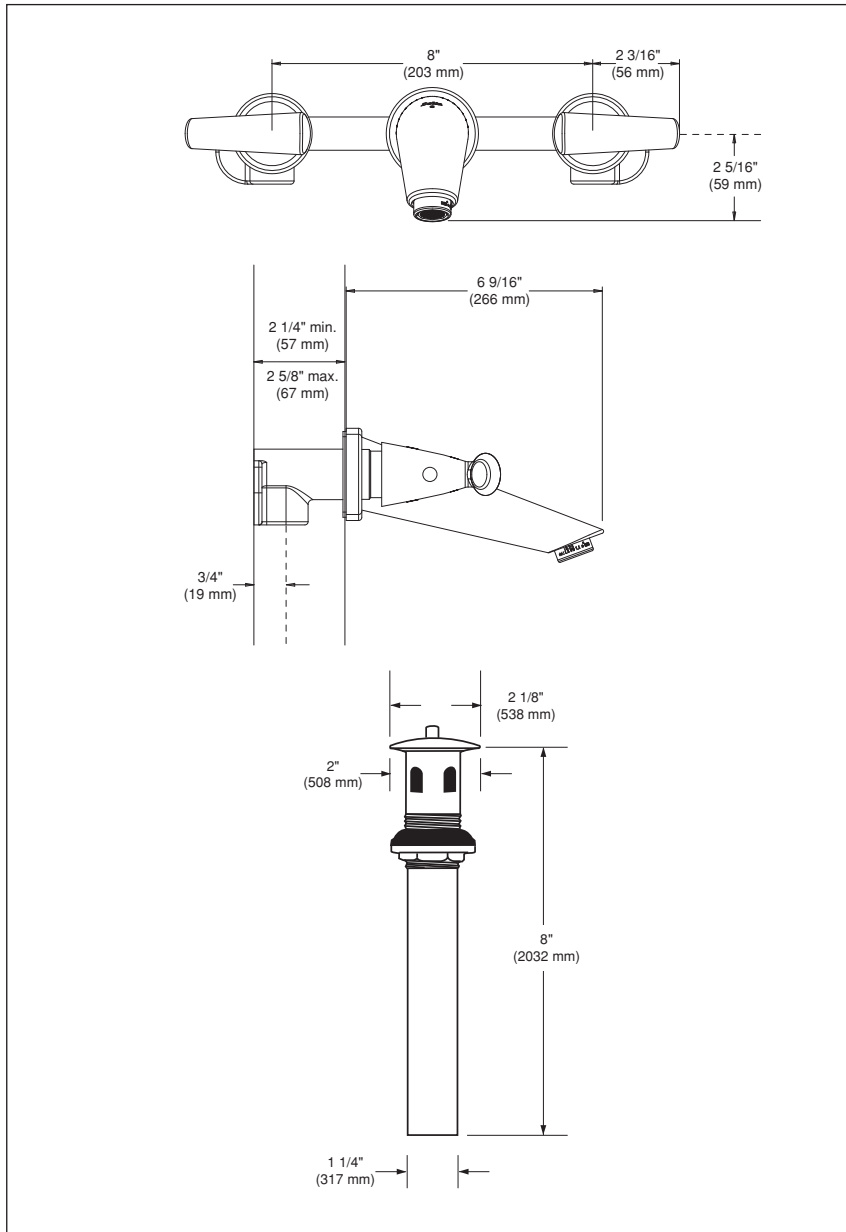


Submitted Model No.: \_\_\_\_\_

Specific Features: \_\_\_\_\_



## LAVATORY FAUCETS

- Rhythm™ Series
- Two Handle
- Wallmount
- Vessel Sink Applications
- 8" Centers

### STANDARD SPECIFICATIONS:

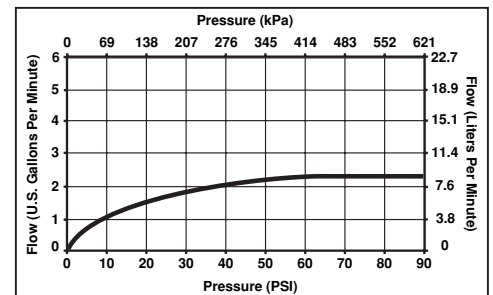
- Two handle lavatory faucets for wall mount.
- 8" (203 mm) centers.
- 1/4 turn stops.
- Solid brass valve body and spout.
- 6 9/16" (166 mm) long, rigid spout.
- Hot and cold stems are interchangeable.
- Control mechanism is a rotating cylinder with stainless steel plate and 90° rotation, with replaceable non-metallic seats operating in stainless steel lined sockets.
- Models have metal drain with pop-up type fitting with plated flange and stopper.

### WARRANTY

- Lifetime Faucet and Finish Limited Warranty to the original consumer purchaser to be free from defects in material and workmanship.
- 5 Year Limited Warranty for usage in all industrial, commercial and business applications.

### COMPLIES WITH:

- ASME A112.18.1/CSA B125.1
- NSF 61
- Indicates ADA compliance to ICC/ANSI A117.1
- CSA Certified



Delta reserves the right (1) to make changes in specifications and materials, and (2) to change or discontinue models, both without notice or obligation. Dimensions are for reference only. See current full-line price book or [www.specselectonline.com](http://www.specselectonline.com) for finish options and product availability.



55 E, 111th Street, Indianapolis, IN 46280  
 395 Matheson Blvd. E., Mississauga, ON L4Z 2H2  
 © 2006 Masco Corporation of Indiana