



Buy it for looks. Buy it for life.®

DESCRIPTION

- Metal construction with a chrome plated, oil rubbed bronze or LifeShine® brushed nickel finish
- 1/2" IPS connections
- Includes hot and cold color indicators

OPERATION

- Lever style handles
- Hot side counterclockwise to open (clockwise to close)
- Cold side clockwise to open (counterclockwise to close)

FLOW

- Aerator is limited to 2.2 gpm max (8.3 L/min)

CARTRIDGE

- 1224 cartridge design
- Nonmetallic and stainless steel material

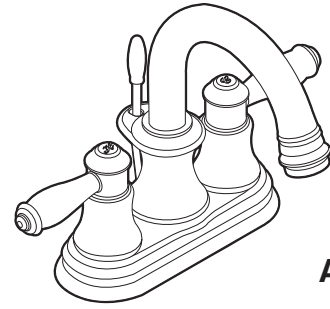
STANDARDS

- Third party certified by CSA to CSA B-125, ASME A112.18.1M, ANSI A117.1 and all applicable requirements referenced therein
- Certified to ANSI/NSF 61/9
- Complies with California Proposition 65 and with the Federal Safe Water Drinking Act

WARRANTY

- Lifetime limited warranty against leaks, drips and finish defects to the original consumer purchaser
- 5 year warranty if used in commercial installations

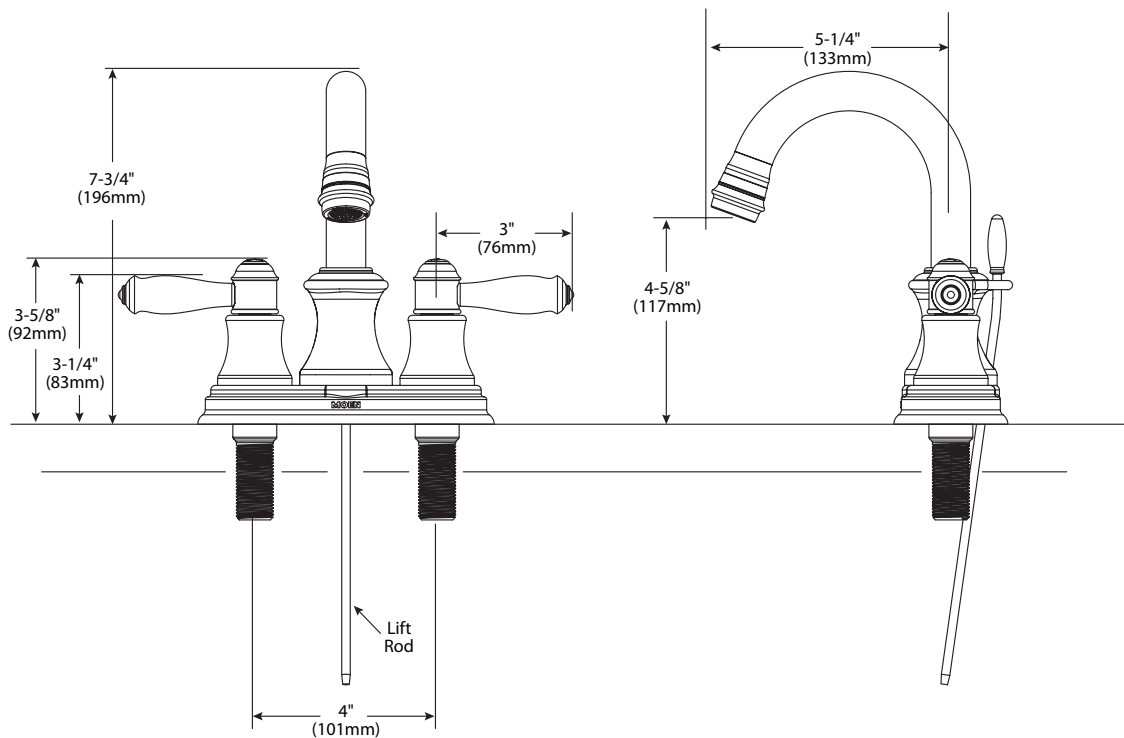
Specifications



Two-Handle Lavatory Faucet

Models: 84451, 84451ORB, 84451BN

NOTE: THIS FAUCET IS DESIGNED TO BE INSTALLED THRU 3 HOLES, 1-1/2" MIN. DIA.



CRITICAL DIMENSIONS

(DO NOT SCALE)