

FAUCET DESCRIPTION

- Metal construction chrome plated finish
- 1/2" IPS connections will accept standard ball nose connection for 3/8" tubing

OPERATION

- Lever style handle
- Will operate with less than 5 lbs. of force

FLOW

- Aerator is limited to 2.2 gpm max (8.3 L/min)

CARTRIDGE

- 1225 cartridge design (not 1200)
- Nonmetallic, nonferrous and stainless steel material

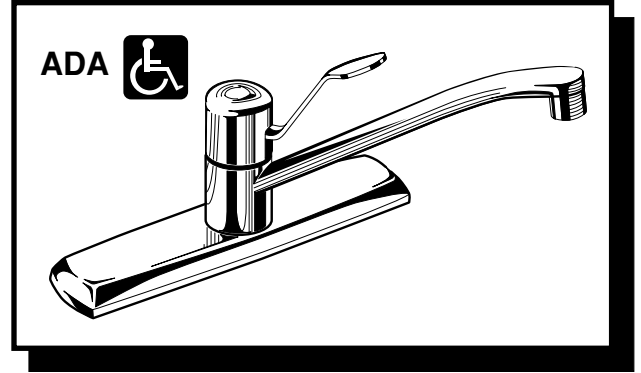
STANDARDS

- Designed and manufactured to comply with the requirements of: CSA B-125, ASME A112.18.1M, and all applicable requirements referenced therein and complies with the applicable requirements of ANSI A117.1.
- Certified to ANSI/NSF 61/9
- Complies with California Proposition 65 and with the Federal Safe Water Drinking Act

WARRANTY

- Lifetime limited warranty against leaks, drips and finish defects to the original consumer purchaser
- 5 year warranty if used in commercial installations

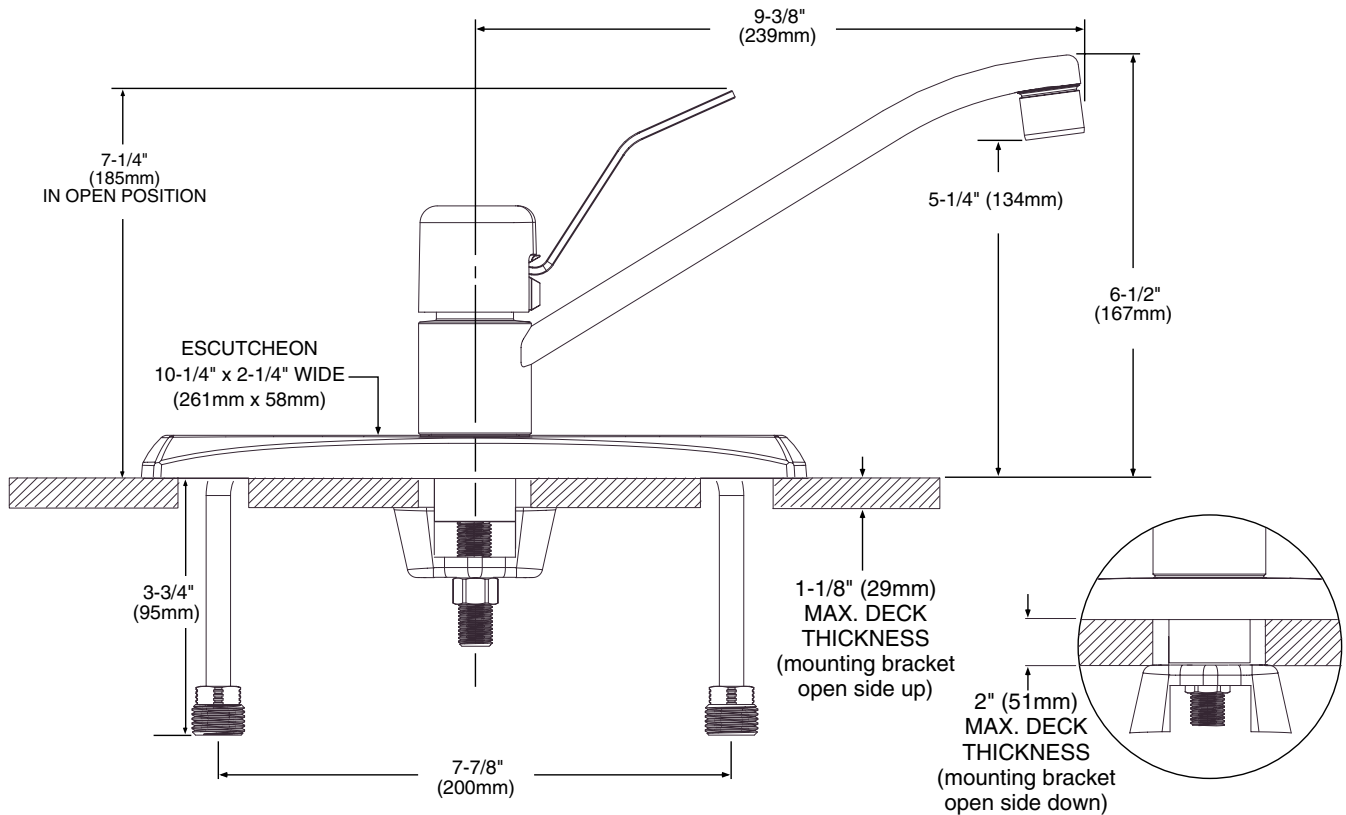
**NOTE: DESIGNED TO INSTALL
THRU 3 HOLES 1-1/4" (32mm) MIN. DIA.
AND 4" (102mm) ON CENTER**



**MANOR by Moen®
Single-Handle Kitchen Faucet**

**Model: 67125
(Bulk packed 12 per carton)**

**NOTE: See reverse side
for illustrated parts**



CRITICAL DIMENSIONS

(DO NOT SCALE)