



Buy it for looks. Buy it for life.®

*There is more than 1 version of this model.
Page down to identify the version you have.*

FAUCET DESCRIPTION

- Metal construction with chrome plated finish
- 1/2" IPS connections will accept standard ball nose connection for 3/8" tubing

OPERATION

- Loop style handle
- Temperature controlled by 180° arc of handle travel
- Will operate with less than 5lbs. of force

FLOW

- Aerator is limited to 2.2 gpm max (8.3 L/min)

CARTRIDGE

- 1225 cartridge design (not 1200)
- Nonmetallic/nonferrous and stainless steel material

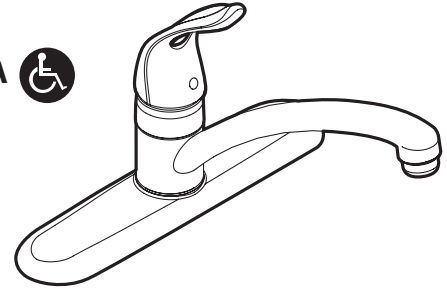
STANDARDS

- Designed and manufactured to comply to: CSA B-125, ASME A112.18.1M, ANSI A117.1 and all applicable requirements referenced therein
- Certified to ANSI/NSF 61/9
- Complies with California Proposition 65 and with the Federal Safe Water Drinking Act

WARRANTY

- Lifetime limited warranty against leaks, drips and finish defects to the original consumer purchaser
- 5 year warranty if used in commercial installations

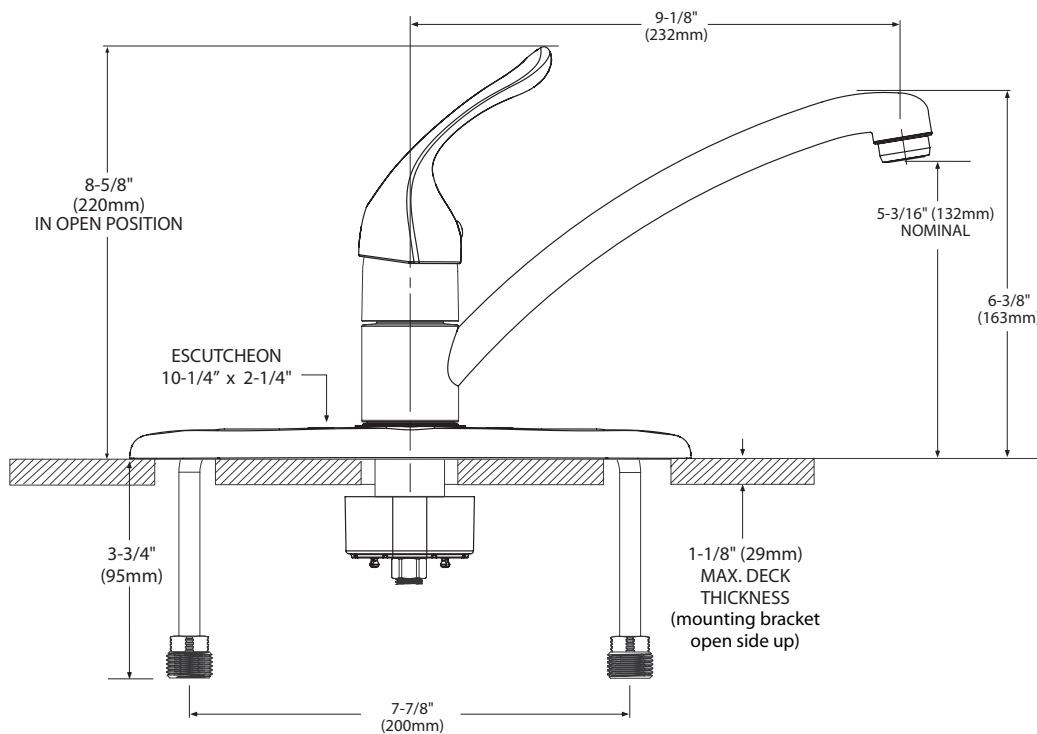
Specifications



CHATEAU® Single-Handle Kitchen Faucet

Model: 7445
Bulk Model: 67445
(Bulk packed 12 per carton)

NOTE: DESIGNED TO INSTALL THROUGH
3 HOLES 1-1/4" (32mm) MIN. DIA. AND 4" (102mm)
ON CENTER.



CRITICAL DIMENSIONS

(DO NOT SCALE)



Buy it for looks. Buy it for life.®

Specifications

FAUCET DESCRIPTION

- Metal construction with either chrome plated, decorative glacier or sand finish
- 1/2" IPS connections will accept standard ball nose connection for 3/8" tubing

OPERATION

- Loop style handle
- Temperature controlled by 180° arc of handle travel
- Will operate with less than 5lbs. of force

FLOW

- Aerator is limited to 2.2 gpm max (8.3 L/min)

CARTRIDGE

- 1225 cartridge design (not 1200)
- Nonmetallic/nonferrous and stainless steel material

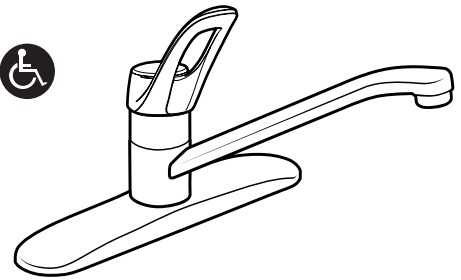
STANDARDS

- Designed and manufactured to comply with the requirements of: CSA B-125, ASME A112.18.1M, and all applicable requirements referenced therein and complies with the applicable requirements of ANSI A117.1.
- Certified to ANSI/NSF 61/9
- Complies with California Proposition 65 and with the Federal Safe Water Drinking Act

WARRANTY

- Lifetime limited warranty against leaks, drips and finish defects to the original consumer purchaser
- 5 year warranty if used in commercial installations

ADA 

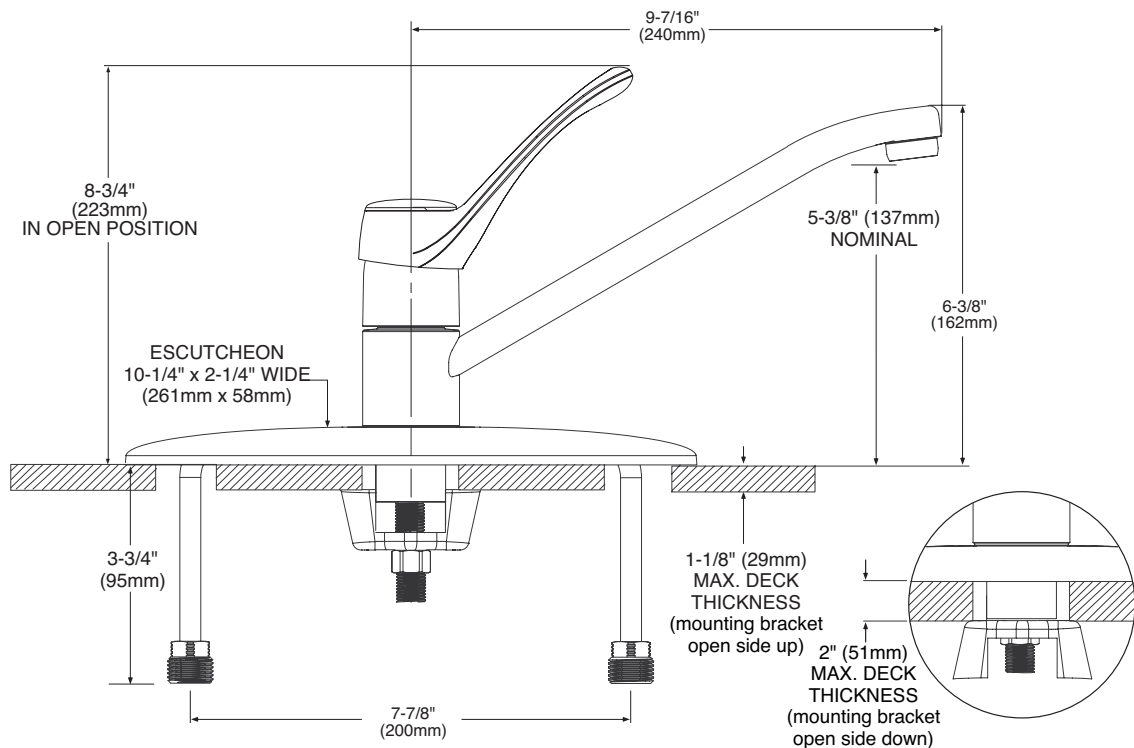


CHATEAU® Single-Handle Kitchen Faucet

Models: 7445,7445S,7445W,
87445

Bulk Model: 67445
(Bulk packed 12 per carton)

NOTE: DESIGNED TO INSTALL THROUGH
3 HOLES 1-1/4" (32mm) MIN. DIA. AND 4" (102mm)
ON CENTER.



CRITICAL DIMENSIONS

(DO NOT SCALE)

FOR MORE INFORMATION CALL: 1-800-BUY-MOEN

www.moen.com