

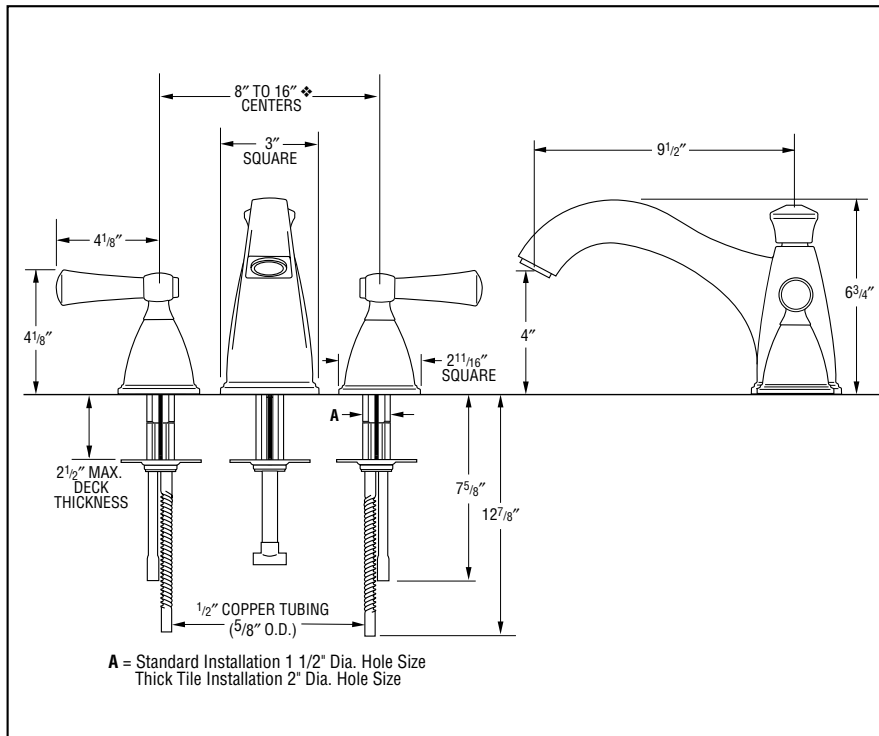
BRIZO™

BATH VALVES

- Vesi™ Collection Curved Spout
- Two Handle Roman Tub Valve
- Complete Trim and Rough-In
- Flexible Deck or Ledge Mount
- Ceramic Disc Valving
- 8" - 16" Centers
- Adjustable Rough-In for Thin or Thick Deck Mounting
- For Thick Deck Applications- Rough-In Installed before Mud and Tile
- Three Hole Installation

Submitted Model No.: _____

Specific Features: _____



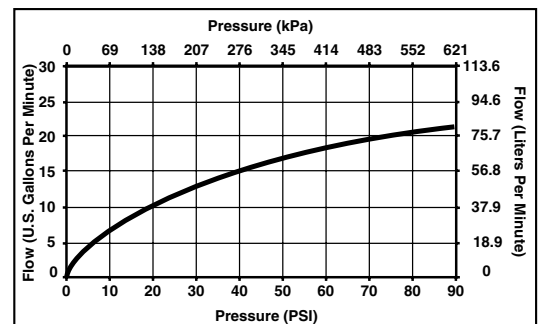
❖ For Lever Handles Use 10"-16" Centers.



COMPLIES WITH:
ANSI/ASME A112.18.1
CSA B125
IAPMO Listed
CSA Certified
ICC/ANSI A117.1/ADA

STANDARD SPECIFICATIONS:

- Roman tub valve.
- 8" - 16" centers. ❖
- Valve mechanism shall be of the rotating cylinder type with 180° rotation.
- Ceramic disc valving.
- Hot and cold stem units shall be interchangeable.
- All operating parts shall be replaceable from the top.
- Adjustable rough-in for thick and thin deck installations.



Standard Features	6740*
Washerless	◆
Ceramic Disc Valving	◆
5/8" O.D. Copper Tube Inlets	◆
Brass Stem	◆
Slip on Spout	◆

*To specify finish add suffix

Available Finishes

Suffix	Finish
BB	<i>Brilliance</i> ® Brass
BN	<i>Brilliance</i> ® Brushed Nickel
BZ	<i>Brilliance</i> ® Brushed Bronze
PC	Polished Chrome