



Buy it for looks. Buy it for life.®

FAUCET DESCRIPTION

- Metal construction with chrome plated finish
- Inlet shanks will accept 3/8" ball nose connections
- With and without side spray versions available

OPERATION

- Lever style handle
- Operates with less than 5 lbs. of force

FLOW

- Tap water: 2.2 gpm max (8.3 L/min)

CARTRIDGE

- 4000 ceramic disc cartridge design
- Nonmetallic/nonferrous and stainless steel material

STANDARDS

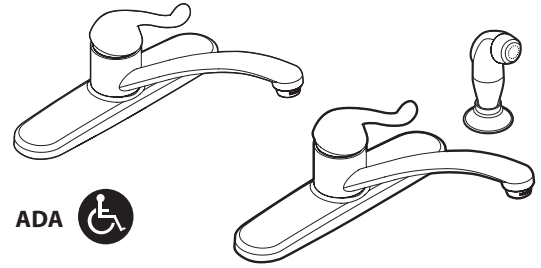
Faucet:

- Third party certified to ASME A112.18.1/CSA B125.1, ICC A117.1 and all applicable requirements referenced therein
- Certified to ANSI/NSF 61/9
- Complies with California Proposition 65 and with the Federal Safe Water Drinking Act

WARRANTY

- Lifetime limited warranty against leaks, drips and finish defects to the original consumer purchaser
- 5 year warranty if used in commercial installations

Specifications

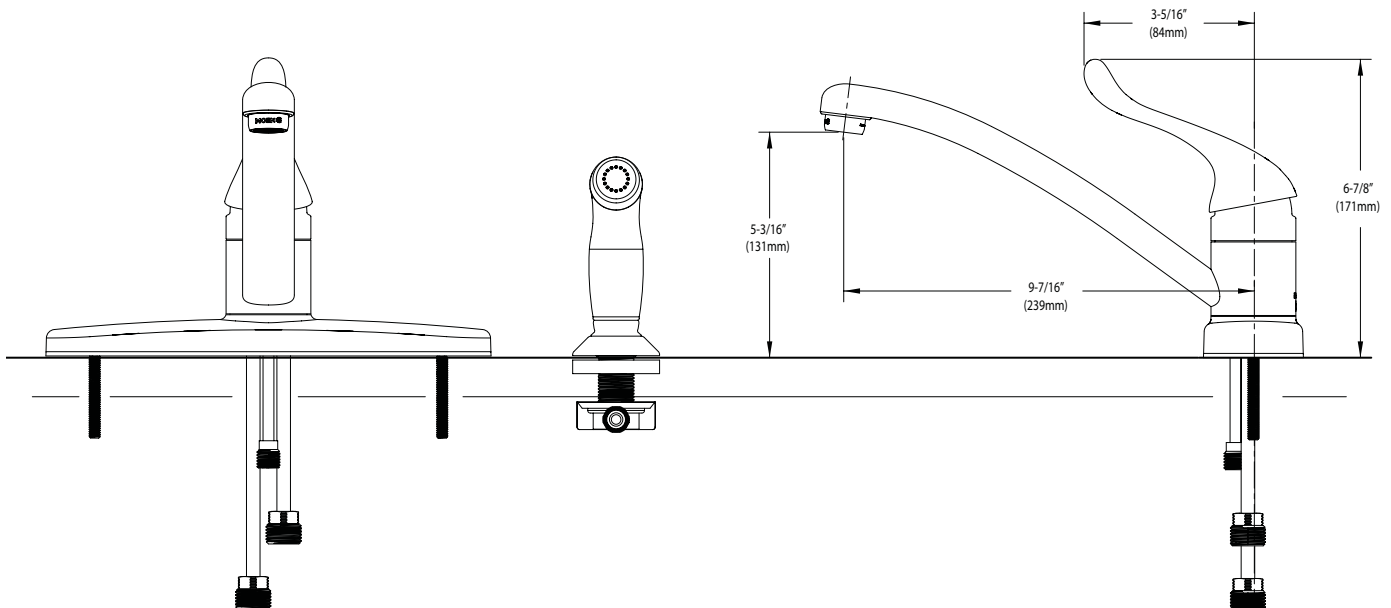


Touch Control®

Single Handle Lever Kitchen Faucet with Protégé® Side Spray

Models: 87530, 87539 (less side spray)

NOTE: DESIGNED TO INSTALL THROUGH 3 1-1/4"
(32mm) MIN. DIA. AND 4" ON CENTER



CRITICAL DIMENSIONS

(DO NOT SCALE)

FOR MORE INFORMATION CALL: 1-800-BUY-MOEN

www.moen.com