



Buy it for looks. Buy it for life.®

# Specifications

## FAUCET DESCRIPTION

- Metal construction with chrome and stainless finish
- 1/2" IPS connections will accept standard ball nose connection for 3/8" tubing
- Includes Protégé side spray and matching soap dispenser

## OPERATION

- Lever style handle
- Temperature controlled by 130° arc of handle travel
- Will operate with less than 5 lbs. of force

## FLOW

- Aerator is limited to 2.2 gpm (8.3 L/min).

## CARTRIDGE

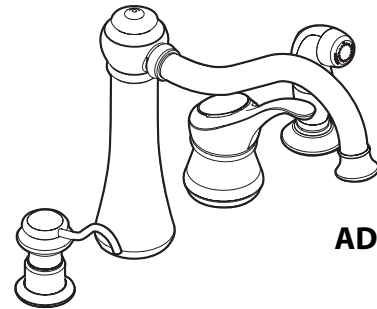
- 1225 cartridge design (not 1200)
- Nonmetallic, nonferrous and stainless steel material

## STANDARDS

- Designed and manufactured to comply with the requirements of: CSA B-125, ASME A112.18.1M, and all applicable requirements referenced therein and complies with the applicable requirements of ANSI A117.1.
- Certified to ANSI/NSF 61/9
- Complies with California Proposition 65 and with the Federal Safe Water Drinking Act

## WARRANTY

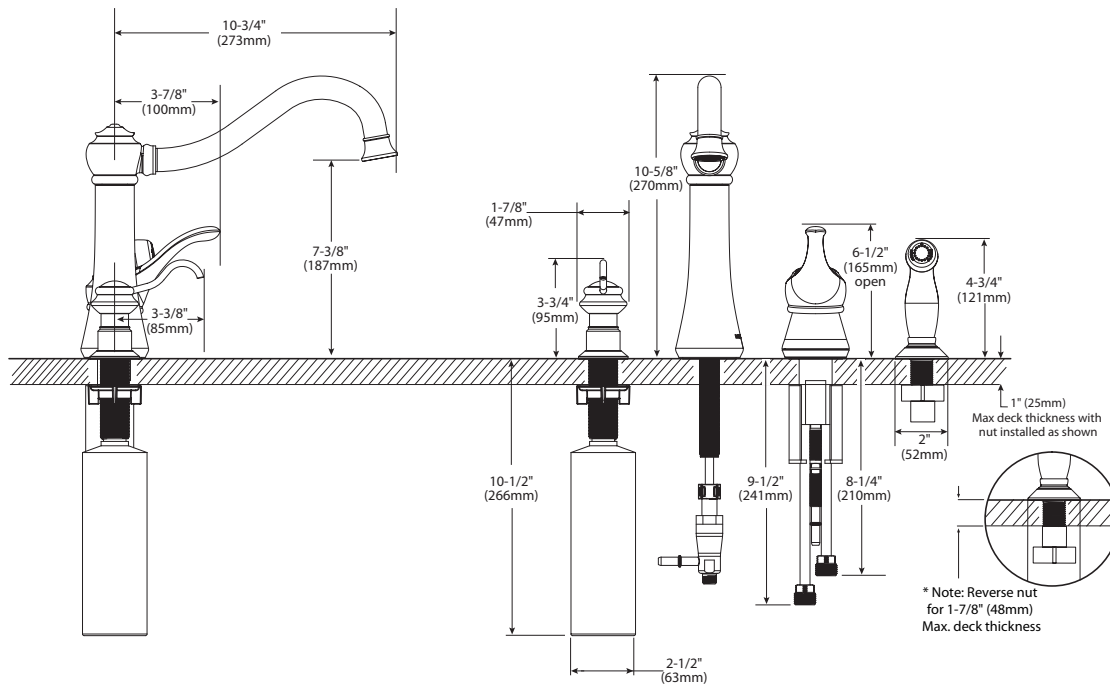
- Lifetime limited warranty against leaks, drips and finish defects to the original consumer purchaser
- 5 year warranty if used in commercial installations



## Single-Handle Kitchen Faucet with Protégé Side Spray and Matching Soap Dispenser

Models: 87770, 87770SL

Spout, Handle, & Hose Spray install through deck holes a minimum of 1-1/4" (32mm) in diameter.



## CRITICAL DIMENSIONS

(DO NOT SCALE)

FOR MORE INFORMATION CALL: 1-800-BUY-MOEN

www.moen.com