



Buy it for looks. Buy it for life.®

Illustrated Parts

■ Order by Part Number

Handle Kit

- 139730** Chrome
- 139730CSL** Stainless
- 139730W** Glacier

Valve Cartridge Kit

- 139731** Chrome
- 139731CSL** Stainless
- 139731W** Glacier

Spout Receptor Kit

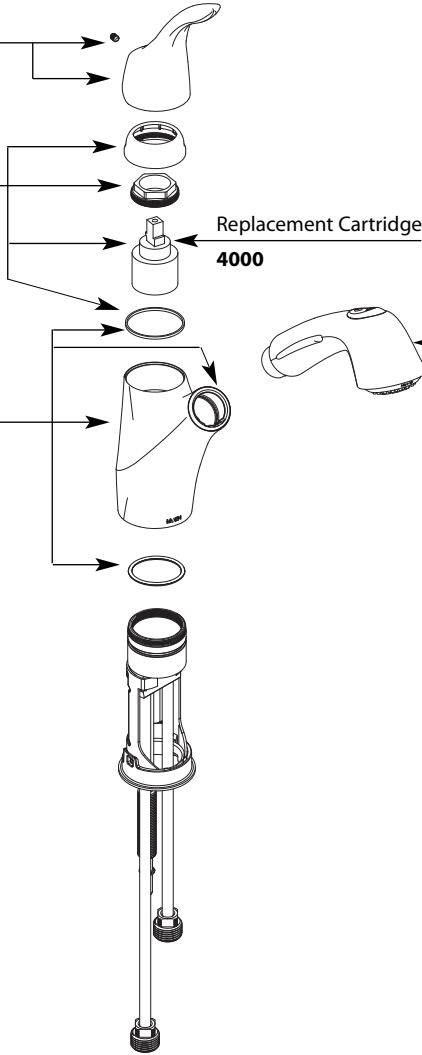
- 139732** Chrome
- 139732CSL** Stainless
- 139732W** Glacier

Escutcheon & Gasket Kit

- 123244** Chrome
- 123244CSL** Classic Stainless
- 123244W** Glacier

Mounting Hardware Kit

93959

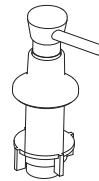


Replacement Cartridge
4000

Wand Kit

- 136829** Chrome
- 136829CSL** Classic Stainless
- 136829WG** Glacier

Promotional Soap Dispenser



Hose Service Kit
(Includes screen washer & integral check valve)

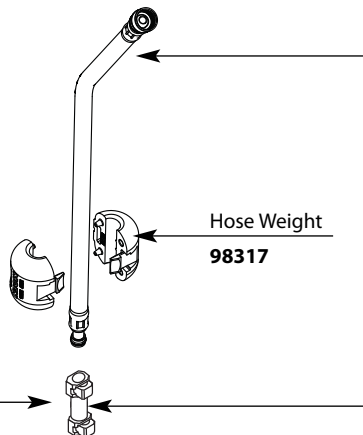
124662

Hose Weight

98317

Hose Adapter

136101



Torrance™		
Single Control Kitchen Faucet with Pullout Spray		
MODEL	HANDLE TYPE	FINISH
87666CSD	Lever	Chrome w/Soap Dispenser
87666CSL	Lever	Classic Stainless
87666W	Lever	Glacier