



Wood Bi-Fold Doors

(rev. 6.21.06)

Copyright © 2006 by Pacific Architectural Millwork

All rights reserved. No part of this manual may be reproduced or transmitted in any form or by any means without permission by Pacific Architectural Millwork.

Wood Bi-Fold Doors

Section Contents

Product Overview	2
Sample Configurations.....	4
Exterior Elevation (3L0R-Out Example)	5
Muntin Detail (Optional)	6
In-Swing: Flush Track Option.....	7
In-Swing: High Flush Track Option	8
In-Swing: Weather-Resistant Track Option.....	9
In-Swing: Head Detail.....	10
In-Swing: Frame to Panel.....	11
In-Swing: Frame to Odd # Panels.....	12
In-Swing: Frame to Even # Panels.....	13
In-Swing: Panel to Panel	14
In-Swing: Even # Panels to Even # Panels	15
In-Swing: Odd # Panels to Odd # Panels	16
In-Swing: Odd # Panels to Even # Panels	17
Out-Swing: Flush Track Option.....	18
Out-Swing: High Flush Track Option	19
Out-Swing: Raised Track Option	20
Out-Swing: Weather-Resistant Track Option.....	21
Out-Swing: Head Detail.....	22
Out-Swing: Frame to Panel.....	23
Out-Swing: Frame to Odd # Panels.....	24
Out-Swing: Even # Panels to Frame	25
Out-Swing: Panel to Panel	26
Out-Swing: Even # Panels to Even # Panels	27
Out-Swing: Odd # Panels to Odd # Panels.....	28
Out-Swing: Odd # Panels to Even # Panels	29

Wood Bi-Fold Doors

(rev. 6.21.06)



Product Overview



Introduction

The all-new wood Bi-Fold door system by Pacific Architectural Millwork offers a wide range of options, maximum glass visibility, and superior functionality, at a competitive price. With combinations of up to ten panels in openings of up to 30 feet, Pacific can create virtually any configuration that you can imagine.

Our wood Bi-Fold door uses European hardware that has been engineered exclusively for Pacific Architectural Millwork. The hinges are interlocked into the aluminum rather than screwed onto the wood face to prevent sagging, and the hardware allows adjustments to the panels for smooth operation and a perfect fit.

Hardware Options

Our exclusive anodized aluminum hardware and hinges are available in the following matching finishes:

- Dark Bronze
- Stainless steel finish
- Powder-coat in custom colors



Pacific offers both key-cylinder and latch locks, and we can add multiple locking points for increased security.

Sill Options

Depending on your weather performance requirements, you can choose from one of four different bottom track options (see bottom track drawings for more details):

- Flush track*
- Raised track (out-swing only)*
- High Flush track*
- Weather-Resistant Track

* NOT WARRANTED AGAINST AIR, WATER OR DUST INFILTRATION.

Glazing Options

Standard glazing for the wood Bi-Fold door uses 1" overall tempered insulated glass. Custom glazing and tinted glass are also available.

We offer two different edge details:

- Contemporary
- Traditional

See the General Info section for more details.

Wood Bi-Fold Doors

(rev. 6.21.06)



Wood Species

Our standard wood species are the following:

- Pine
- Vertical Grain Douglas Fir
- Mahogany

Alternative and exotic wood species are also available.

Other Options

The wood Bi-Fold door is available with optional pre-finishing, custom grille patterns, and raised wood panels.

Contact Pacific Architectural Millwork for additional options and customization.

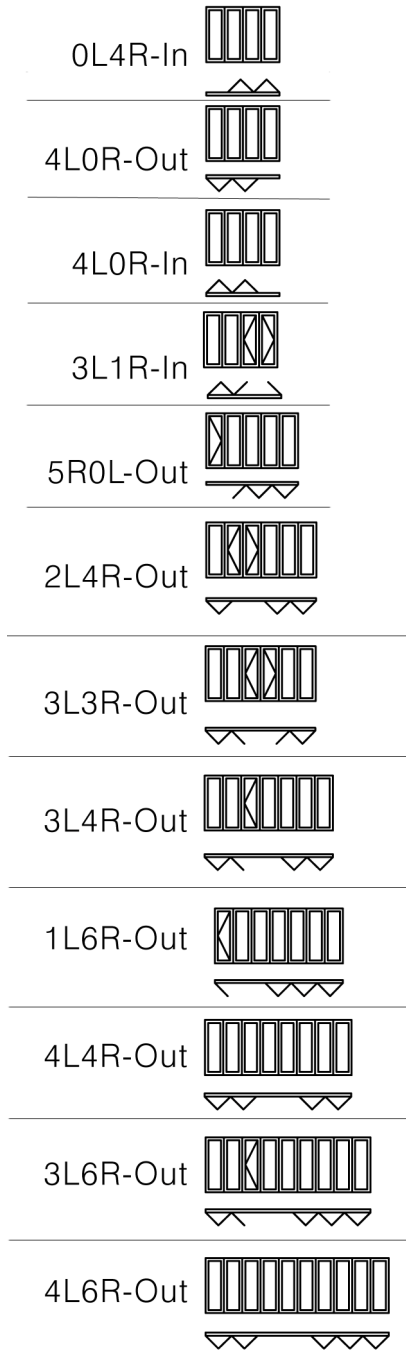
Product Parameters:

Max Opening:	30'
Max Panel Height:	9' (dep. on config.)
Max Panel Width:	42" (dep. on config.)
Panel Thickness:	2 1/2"
Max # Panels:	10
Min Stile Width:	3 1/4"
Min Jamb Depth:	<ul style="list-style-type: none">▪ Out-Swing: 4 11/16"▪ In-Swing: 3 1/4"

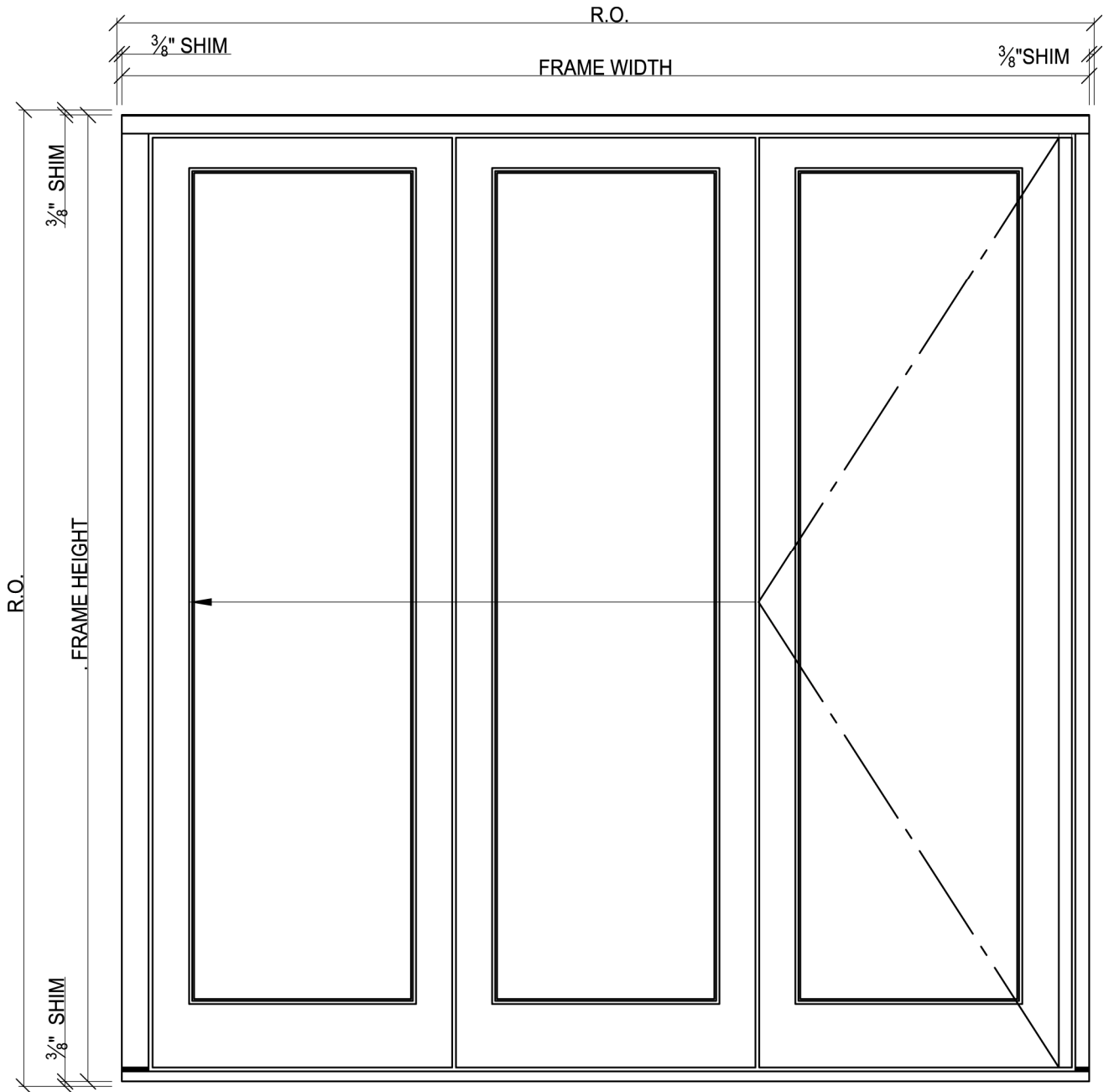


Sample Configurations

The following are a few of the many panel configurations available for the Wood Bi-Fold system, shown in elevation and plan view. All configurations are available as either In-Swing or Out-Swing. (Key: "3L1R-In" = Bi-Fold with a total of 4 panels opening to the interior, configured with 3 panels opening to the left and 1 panel opening to the right, as viewed from the exterior.)



Exterior Elevation (3LOR-Out Example)

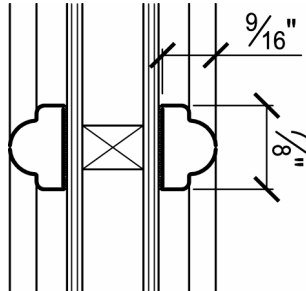


Wood Bi-Fold Doors

(rev. 6.21.06)



Muntin Detail (Optional)

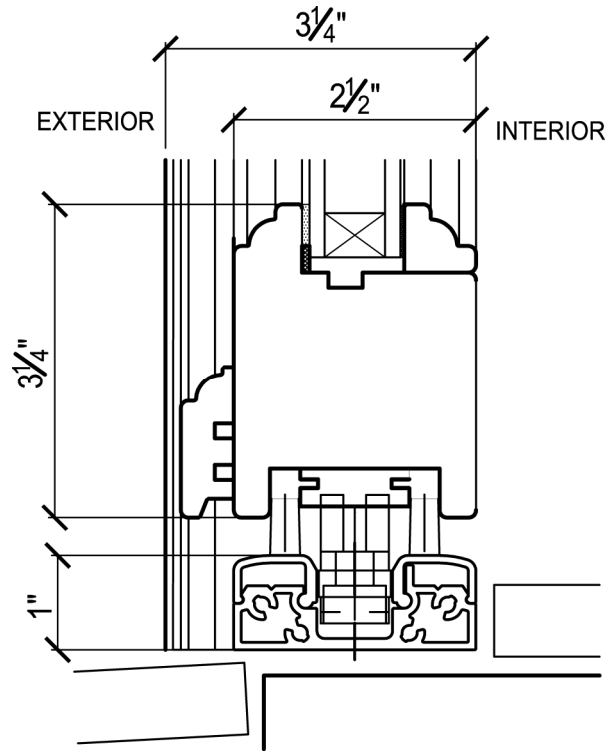


Wood Bi-Fold Doors

(rev. 6.21.06)



In-Swing: Flush Track Option

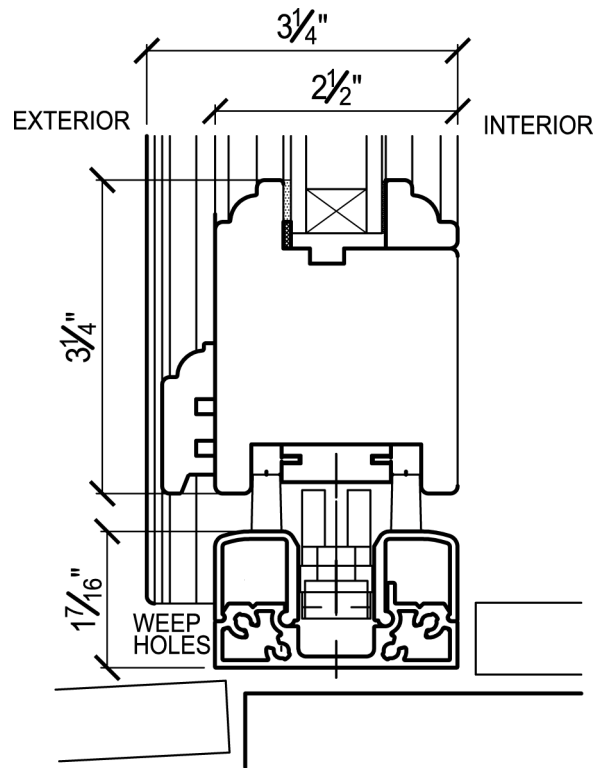


Wood Bi-Fold Doors

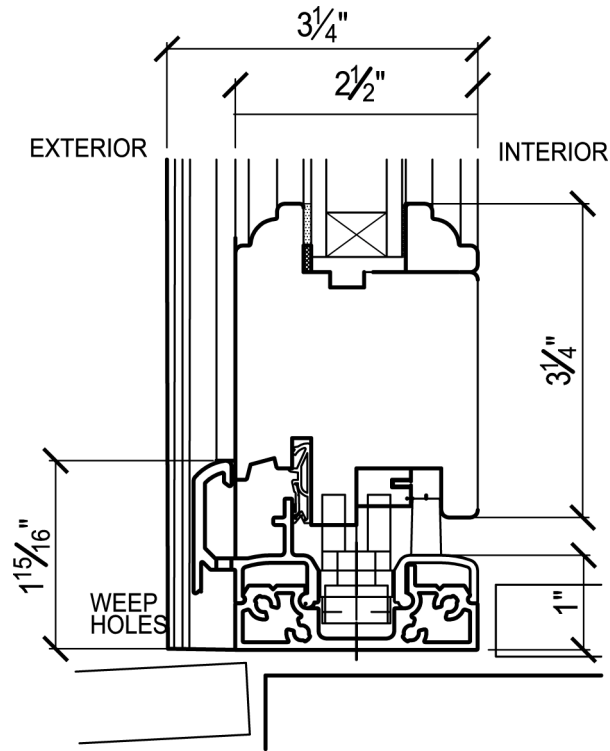
(rev. 6.21.06)



In-Swing: High Flush Track Option



In-Swing: Weather-Resistant Track Option

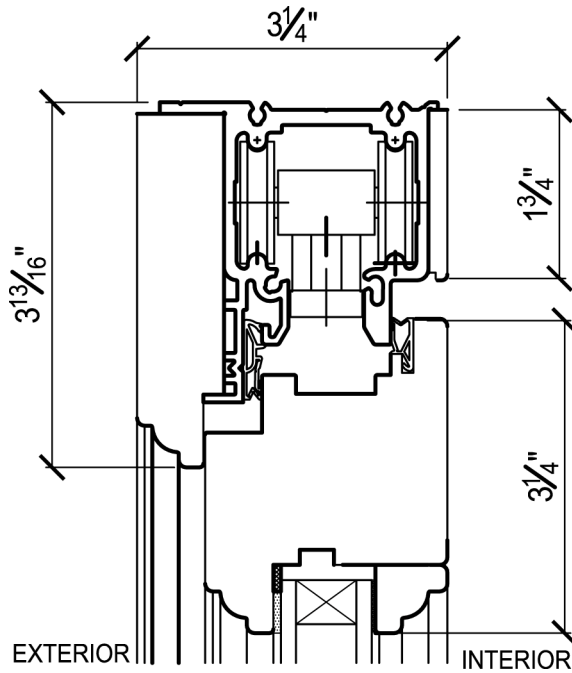


Wood Bi-Fold Doors

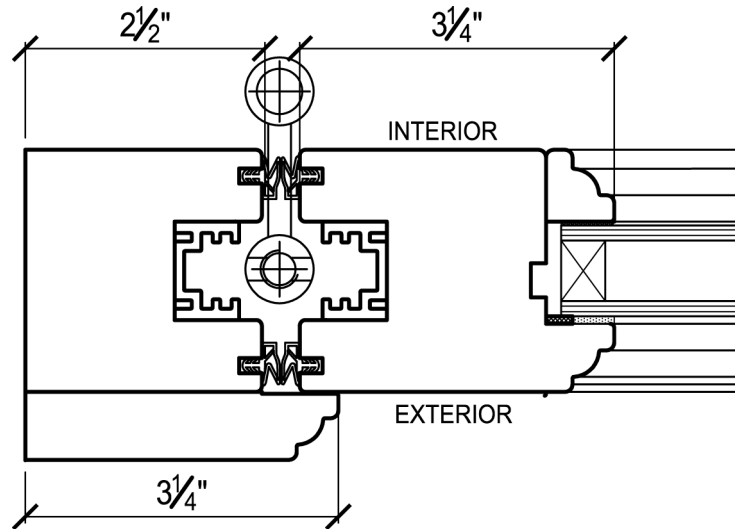
(rev. 6.21.06)



In-Swing: Head Detail



In-Swing: Frame to Panel

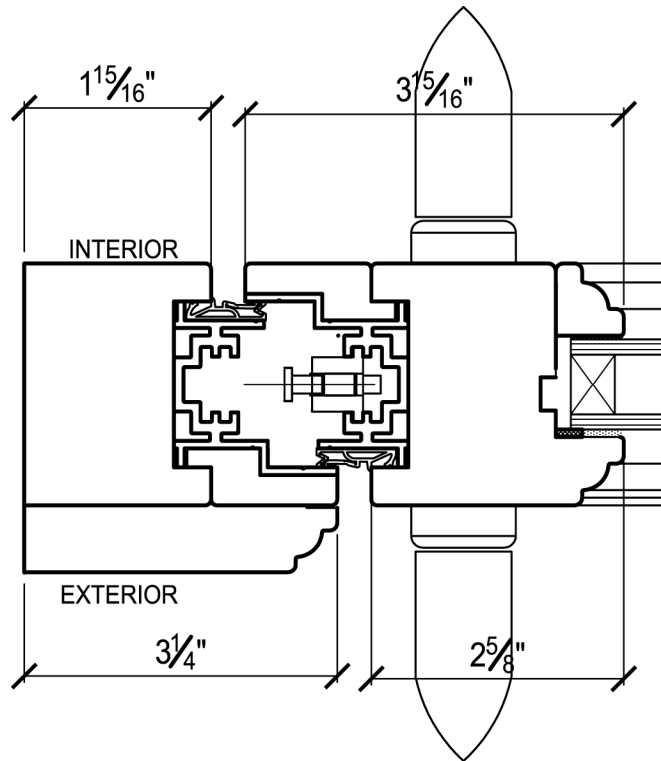


Wood Bi-Fold Doors

(rev. 6.21.06)



In-Swing: Frame to Odd # Panels

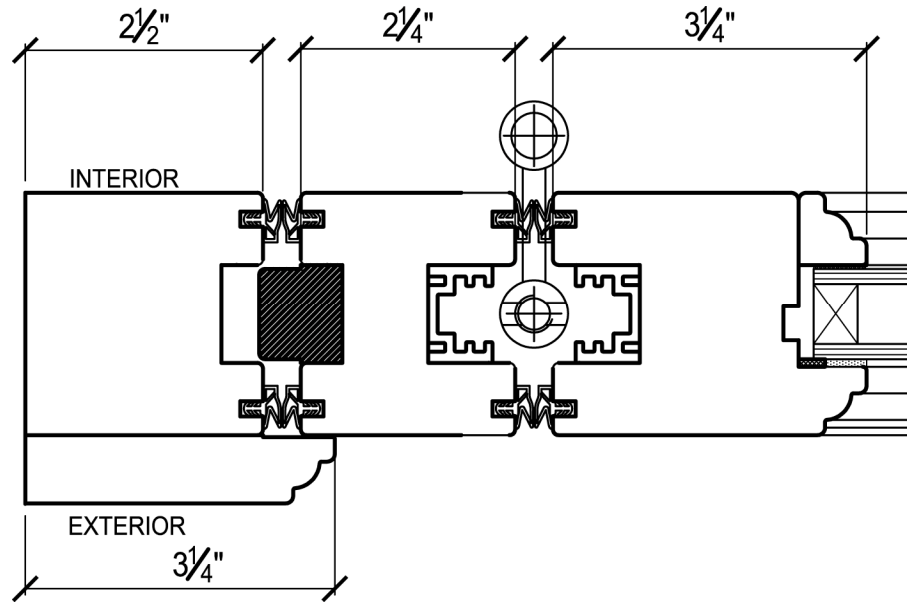


Wood Bi-Fold Doors

(rev. 6.21.06)



In-Swing: Frame to Even # Panels

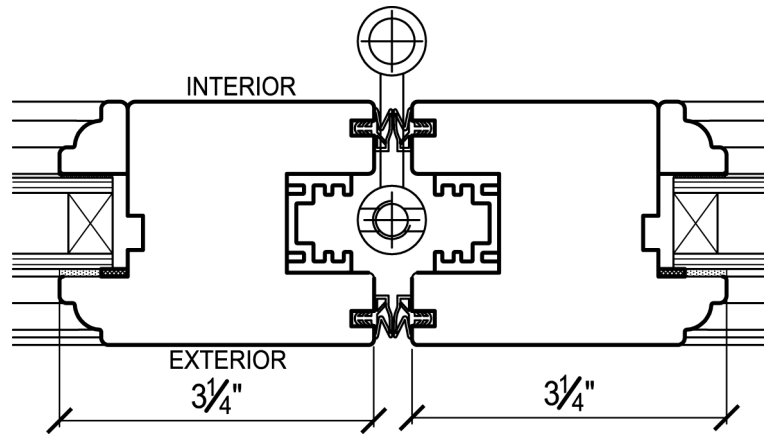


Wood Bi-Fold Doors

(rev. 6.21.06)



In-Swing: Panel to Panel

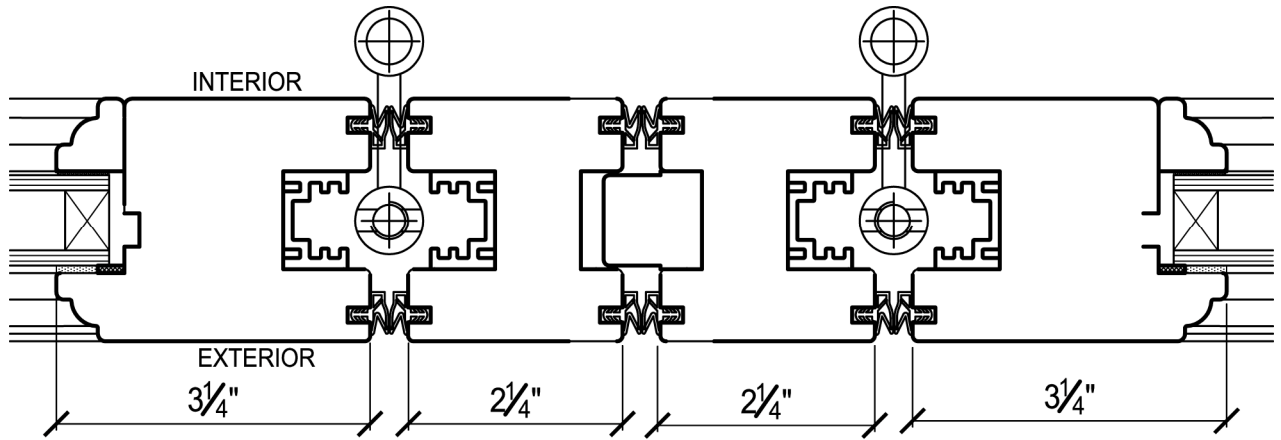


Wood Bi-Fold Doors

(rev. 6.21.06)



In-Swing: Even # Panels to Even # Panels

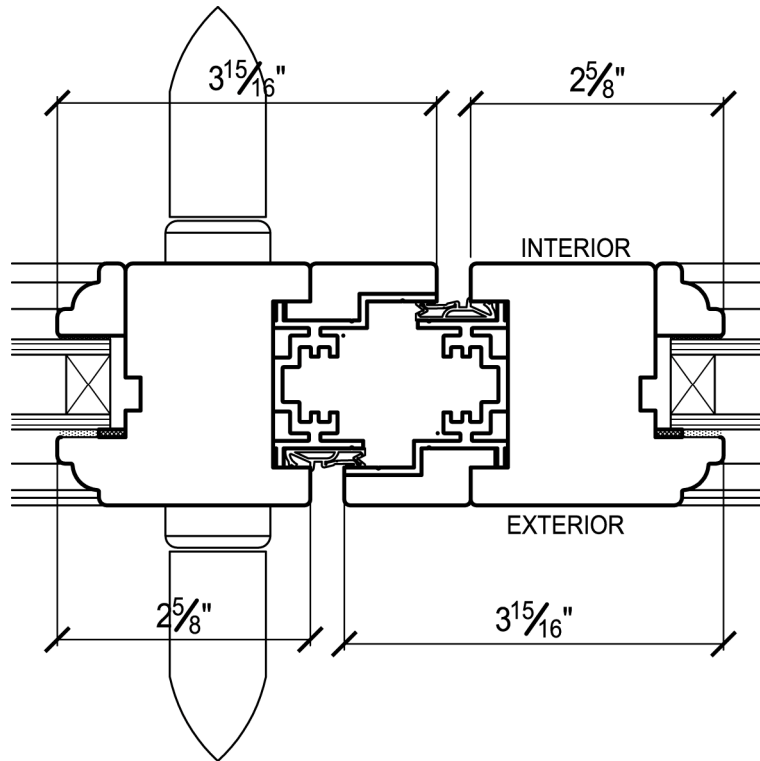


Wood Bi-Fold Doors

(rev. 6.21.06)



In-Swing: Odd # Panels to Odd # Panels

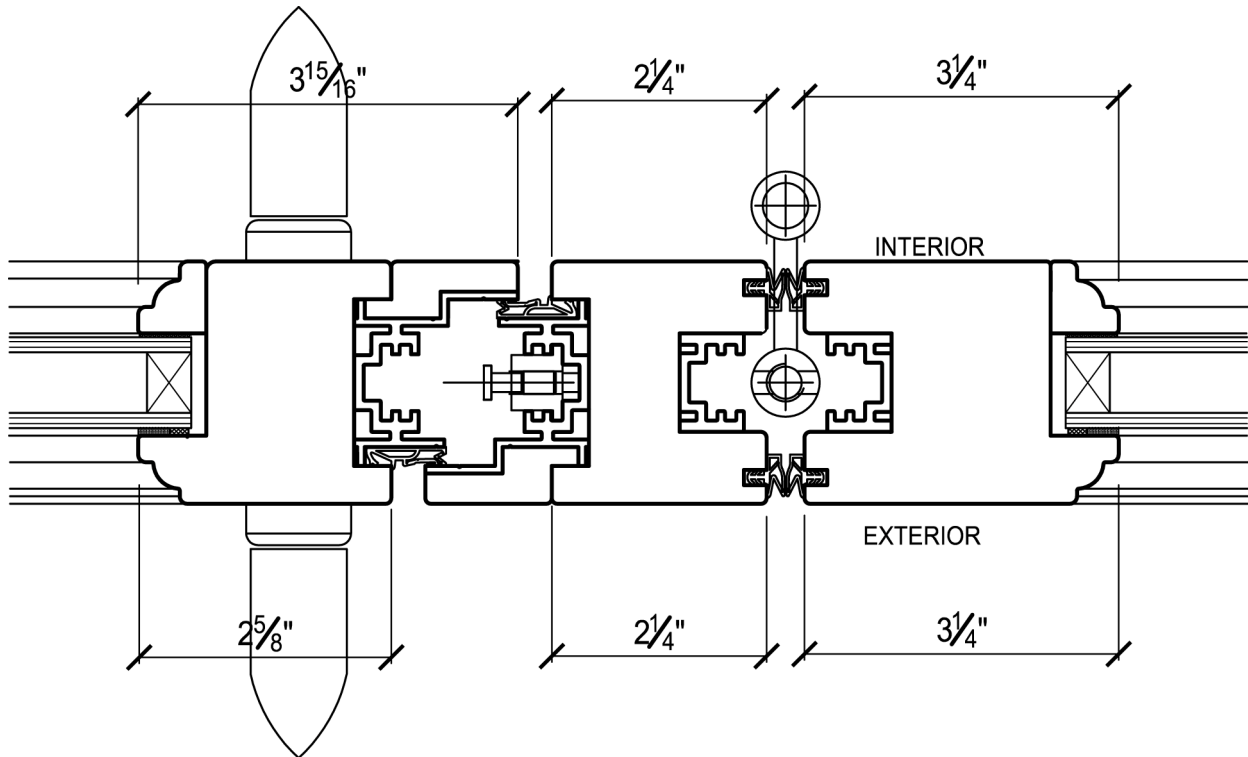


Wood Bi-Fold Doors

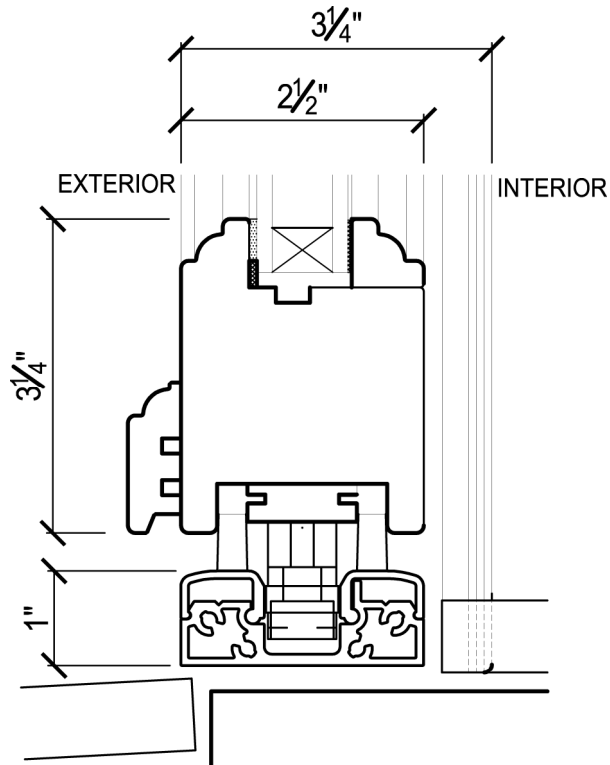
(rev. 6.21.06)



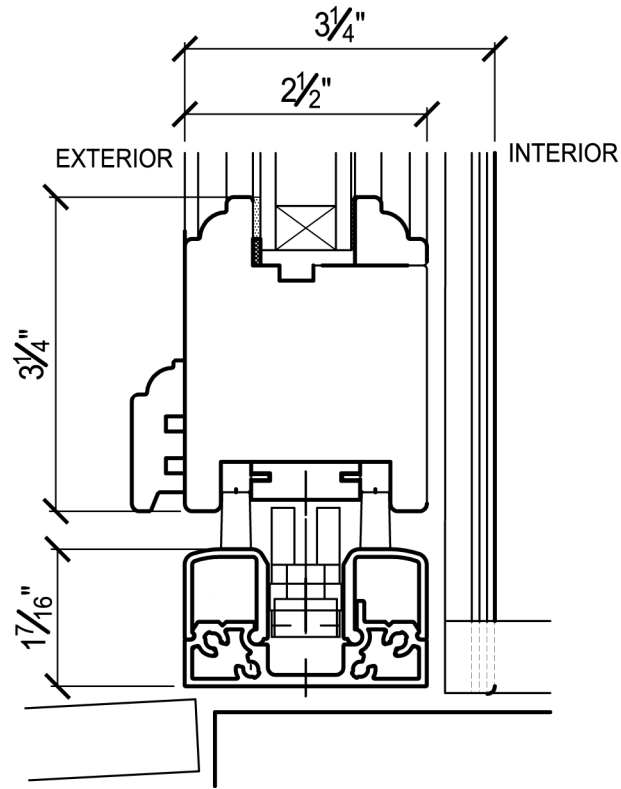
In-Swing: Odd # Panels to Even # Panels



Out-Swing: Flush Track Option



Out-Swing: High Flush Track Option

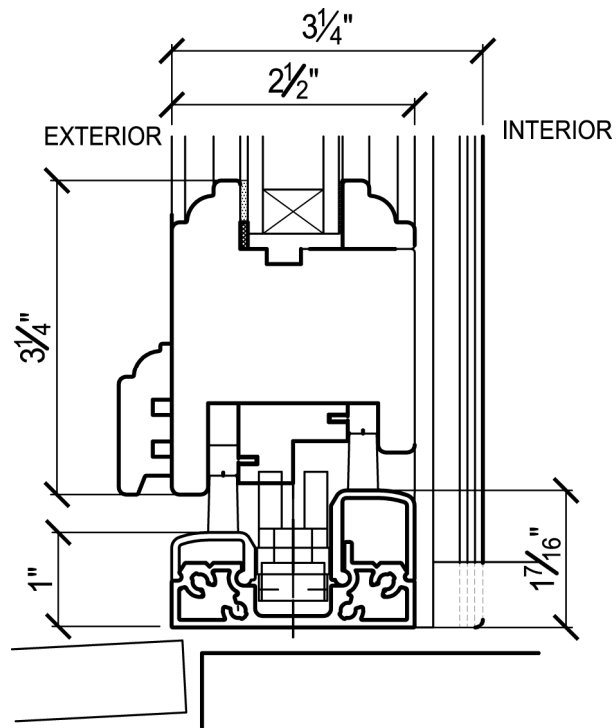


Wood Bi-Fold Doors

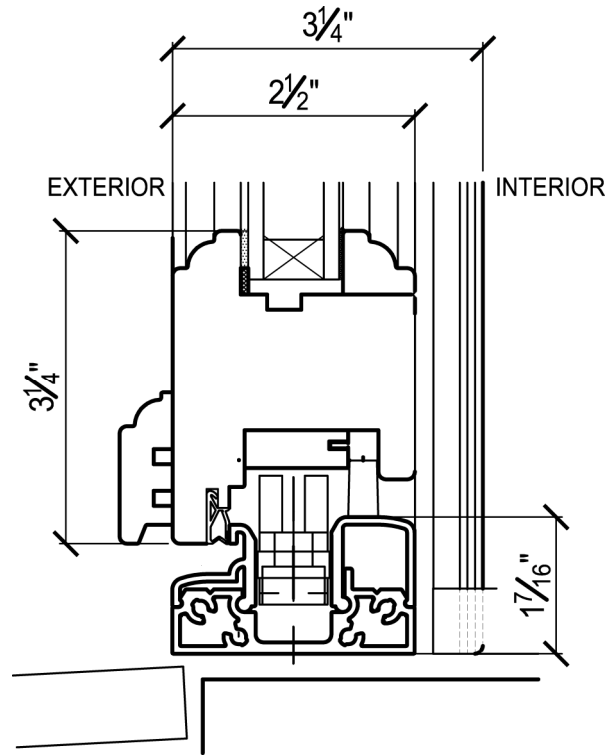
(rev. 6.21.06)



Out-Swing: Raised Track Option



Out-Swing: Weather-Resistant Track Option

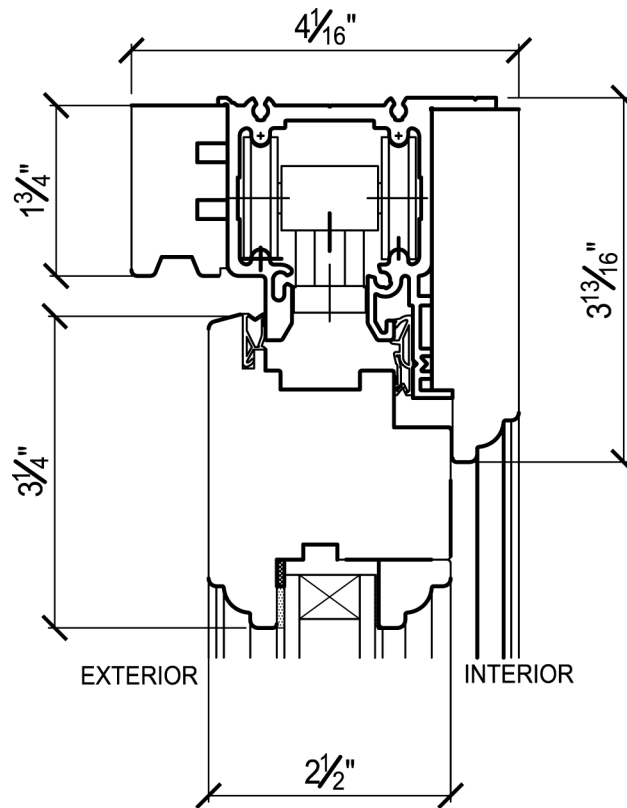


Wood Bi-Fold Doors

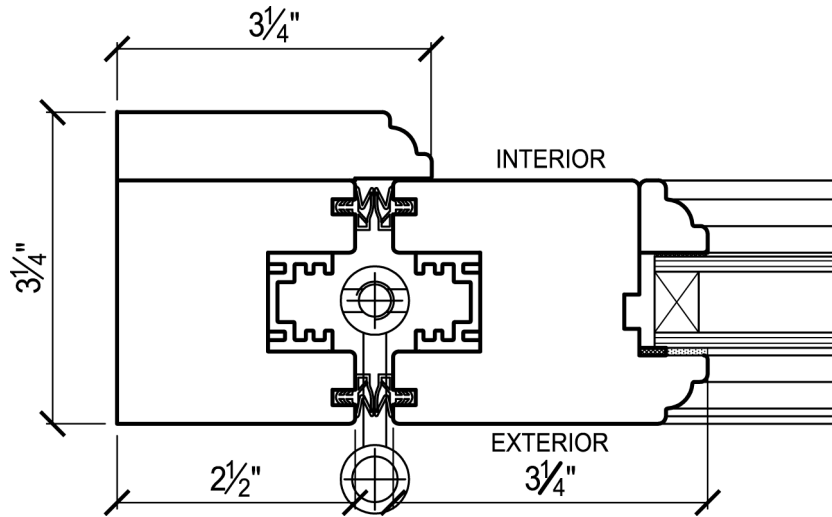
(rev. 6.21.06)



Out-Swing: Head Detail



Out-Swing: Frame to Panel

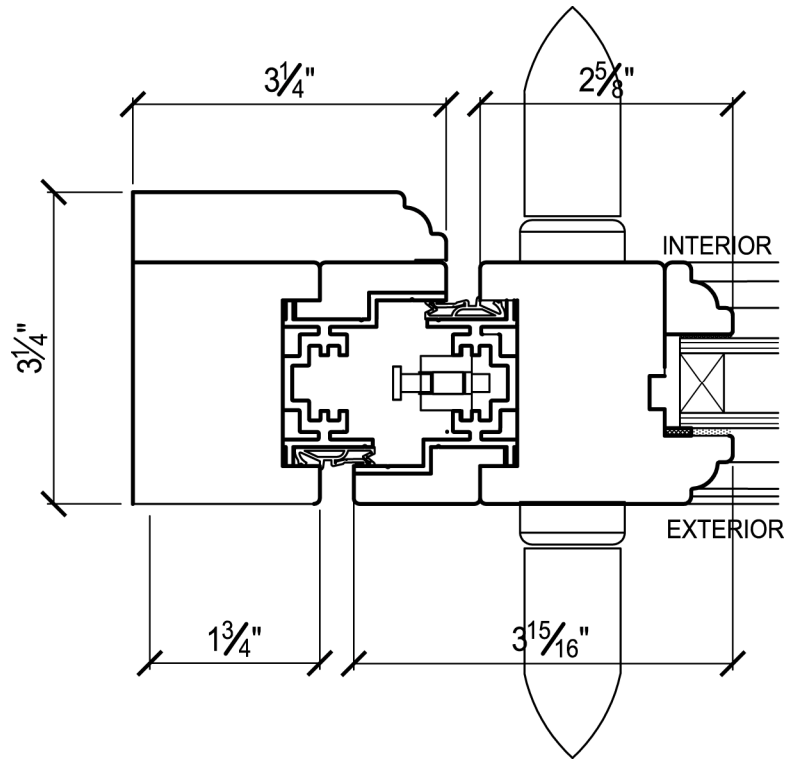


Wood Bi-Fold Doors

(rev. 6.21.06)



Out-Swing: Frame to Odd # Panels

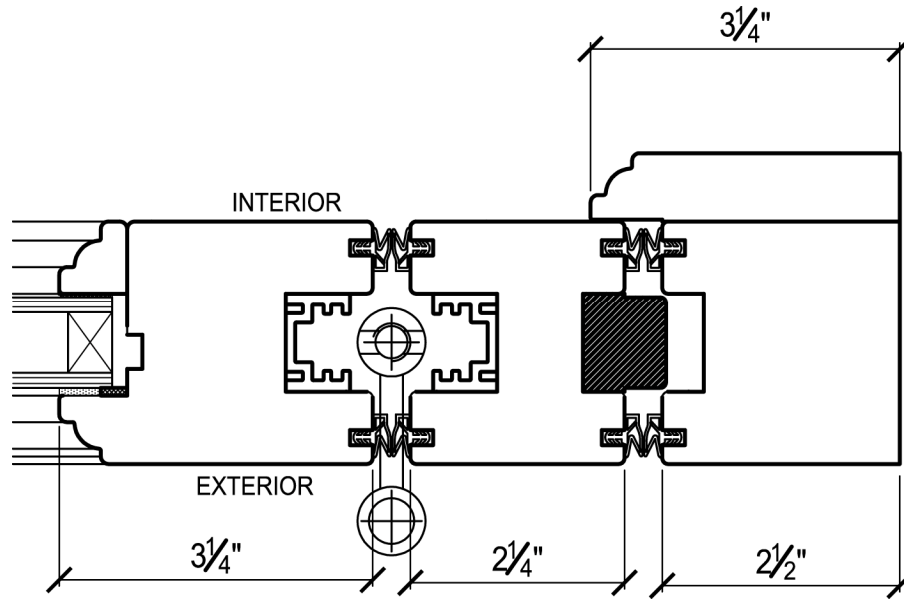


Wood Bi-Fold Doors

(rev. 6.21.06)



Out-Swing: Even # Panels to Frame

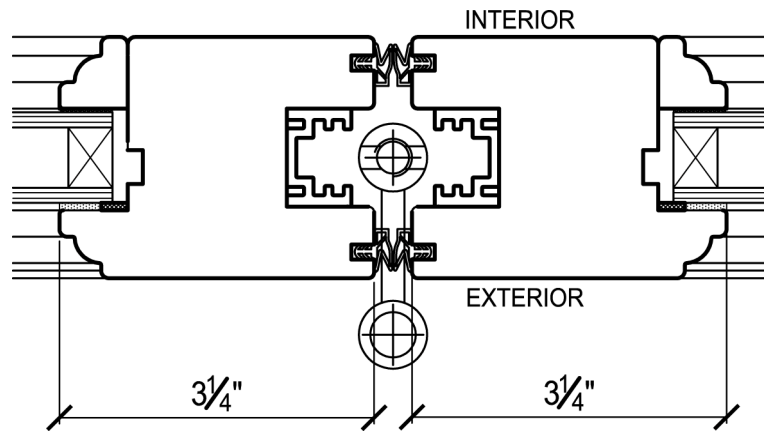


Wood Bi-Fold Doors

(rev. 6.21.06)



Out-Swing: Panel to Panel

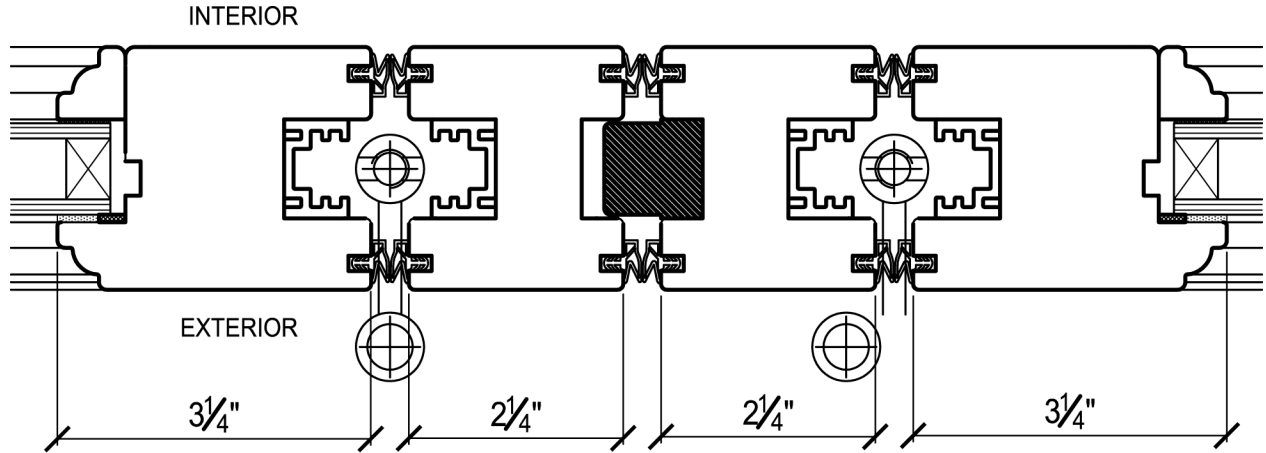


Wood Bi-Fold Doors

(rev. 6.21.06)



Out-Swing: Even # Panels to Even # Panels

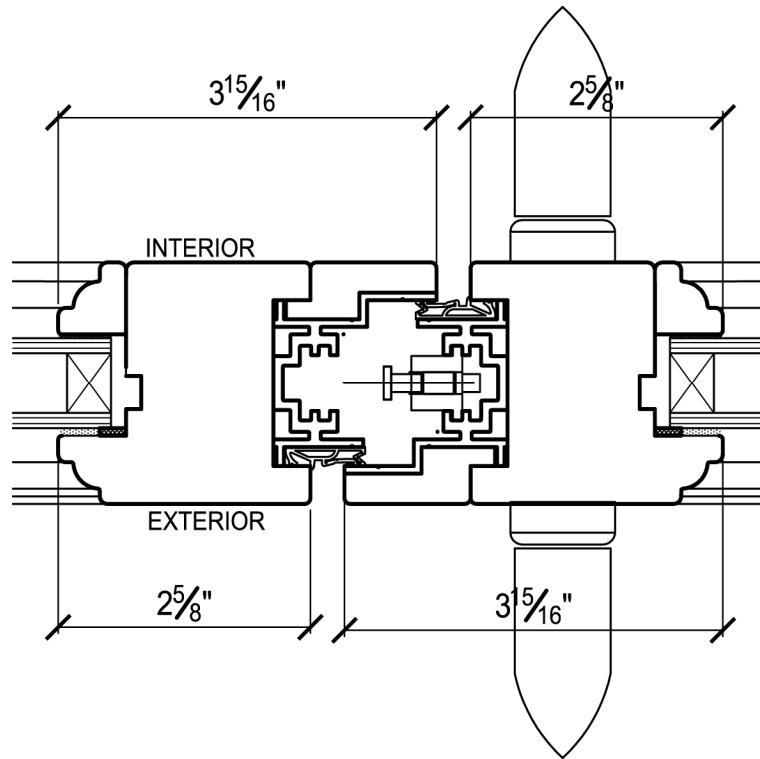


Wood Bi-Fold Doors

(rev. 6.21.06)



Out-Swing: Odd # Panels to Odd # Panels



Wood Bi-Fold Doors

(rev. 6.21.06)



Out-Swing: Odd # Panels to Even # Panels

