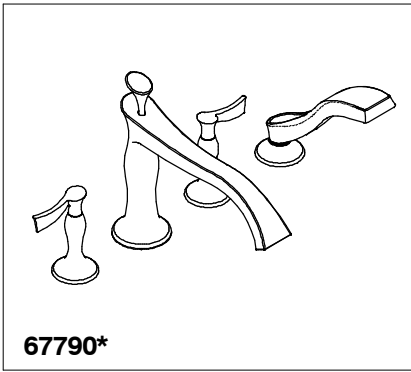


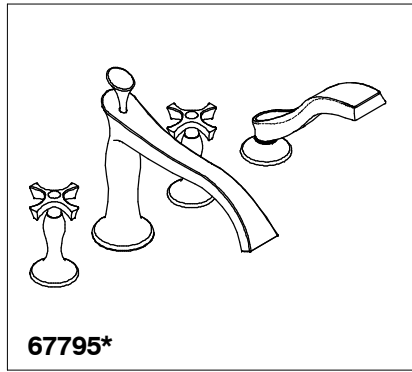
BRIZO™

BATH VALVES

- RSVP™ Two Handle Roman Tub Valve
- 4 Hole Applications
- Temperature and Volume Controlled With Handles
- Automatic Diverter Spout
- Hand Held Retractable Shower
- 4 1/2" to 10" Between Mounting Holes
- Flexible Ledge Mount



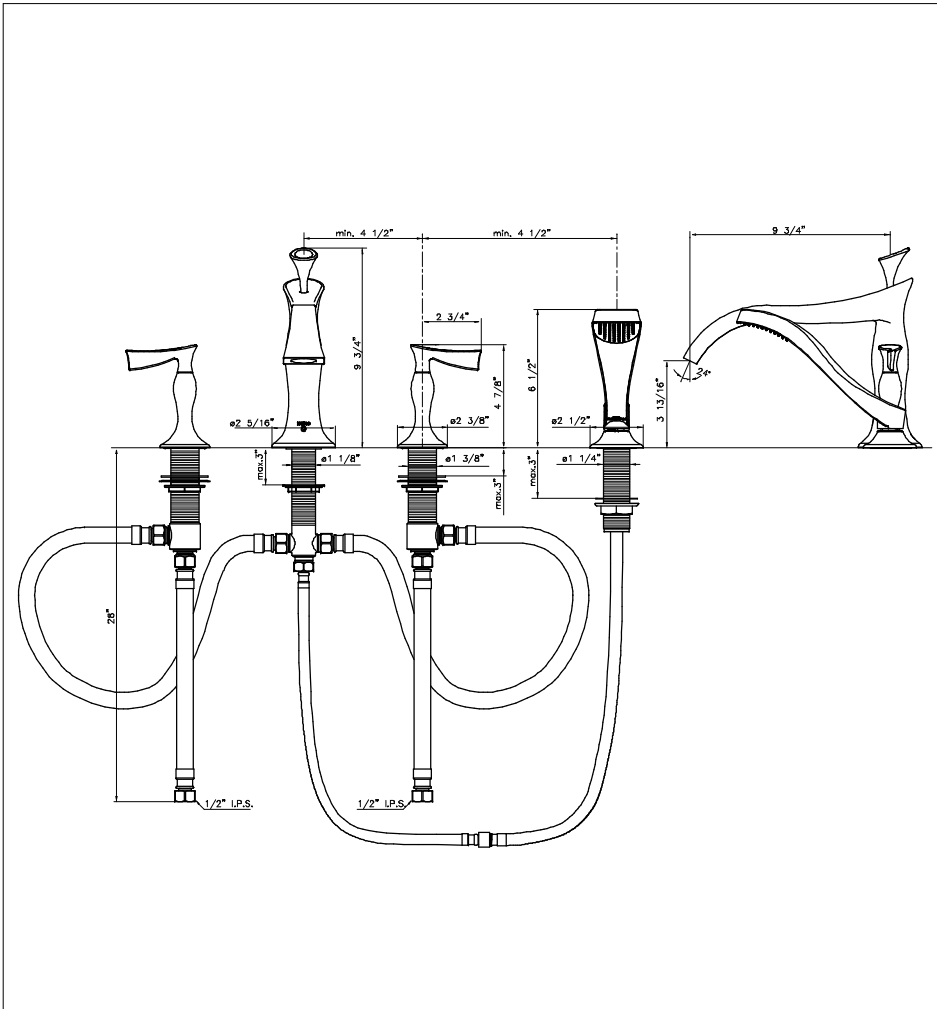
67790*



67795*

Submitted Model No.:

Specific Features:

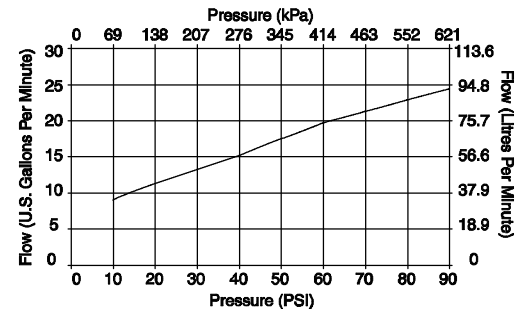


COMPLIES WITH:

- ANSI/ASME A112.18.1
- CSA B125
- IAPMO Listed
- CSA Certified
- ICC/ANSI A117.1/ADA

STANDARD SPECIFICATIONS:

- Roman tub valve.
- Valve mechanism shall be of the rotating ceramic cylinder type with 90° (1/4 turn) rotation.
- Minimum 4 1/2" to maximum 10" distance between holes.
- Recommended hole size: Valve units: 1 3/8" Spout: 1 1/8", Shower nest: 1 3/8"
- All operating parts shall be replaceable from the top.
- Conventional installation kit adjusts to 3" maximum deck thickness.
- Spout with integral diverter, vacuum breaker not required.
- Hand held shower flows 2.5 gpm @ 80 psi.



Standard Features	67790* 67795*
Washerless ceramic valving	◆
With hand shower	◆
Automatic diverter spout	◆
Flexible connection hoses	◆
1/2" I.P.S. Adapters	◆
Shower finish matches faucet finish	◆

*To specify finish add suffix

AVAILABLE FINISHES

Suffix	Finish
BN	Brilliance® Brushed Nickel
BZ	Brilliance® Brushed Bronze
PC	Polished Chrome

Delta Faucet Company
Indianapolis, Indiana 46280
A Division of Masco Corporation of Indiana
©2004 Masco Corporation of Indiana