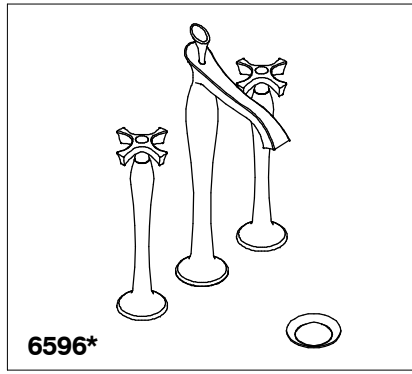
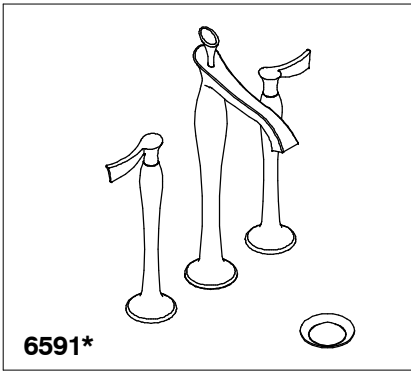


BRIZO™

WIDESPREAD VESSEL LAVATORY FAUCETS

- RSVP™ Two Handle
- 3 Hole Applications
- 6" to 16" Centers



Submitted Model No.: _____

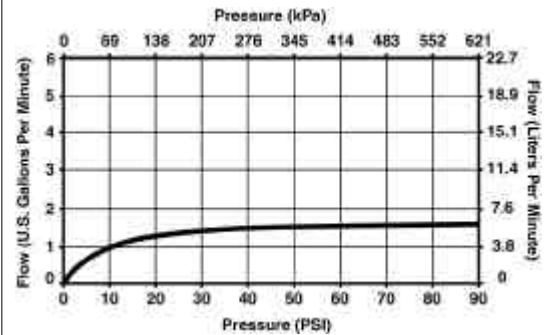
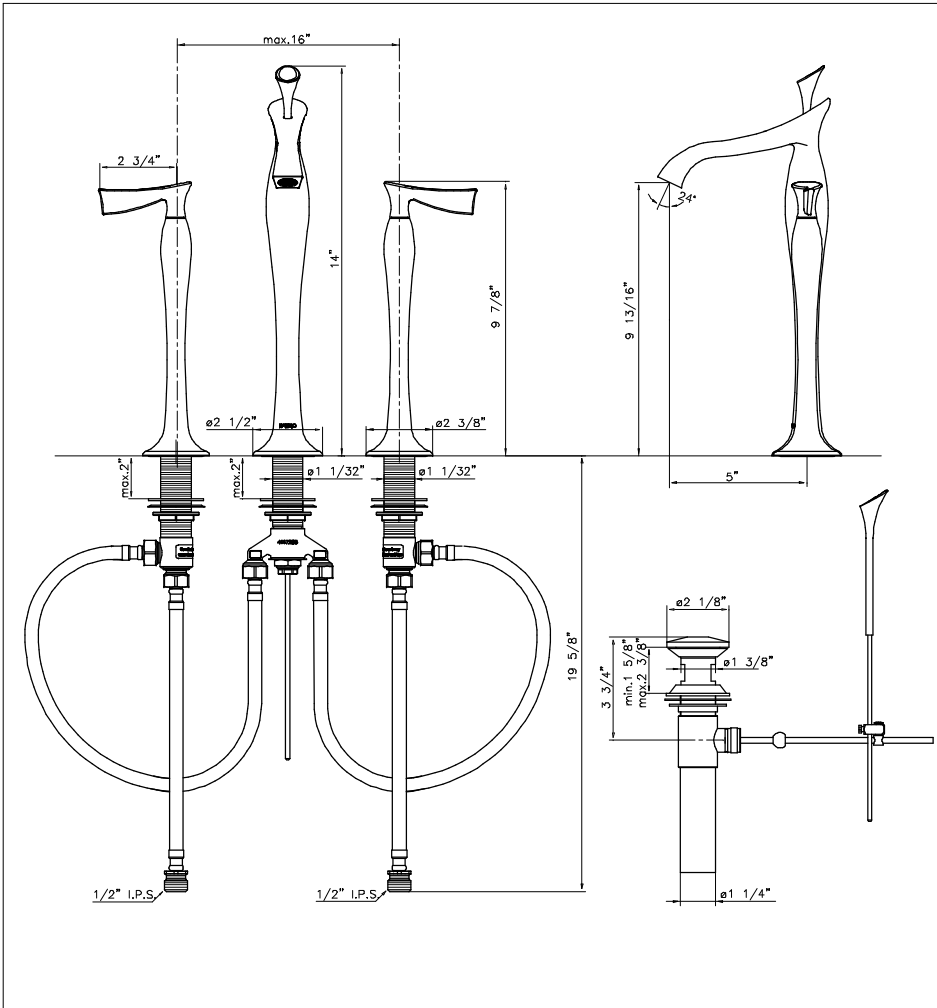
Specific Features: _____



COMPLIES WITH:
 ANSI/ASME A112.18.1
 CSA B125
 IAPMO Listed
 CSA Certified
 ICC/ANSI A117.1/ADA

STANDARD SPECIFICATIONS:

- Two handle lavatory faucet for concealed mounting on 3 hole applications.
- Widespread 6" to 16" centers.
- Control mechanism shall be of the rotating ceramic cylinder type with 90° (1/4 turn) rotation.
- Metal drain has pop-up type fitting with plated flange and stopper.



Standard Features	6591*/6596*
Washerless ceramic valving	◆
Flexible connection hoses	◆
Metal Pop-up Drain	◆
1/2" I.P.S. Adapters	◆

*To specify finish add suffix

AVAILABLE FINISHES

Suffix	Finish
BN	Brilliance® Brushed Nickel
BZ	Brilliance® Brushed Bronze
PC	Polished Chrome

Delta Faucet Company
 Indianapolis, Indiana 46280
 A Division of Masco Corporation of Indiana
 ©2004 Masco Corporation of Indiana