

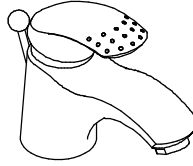
**COMPLIES WITH:**  
 ANSI/ASME A112.18.1  
 CSA B125  
 IAPMO Listed  
 CSA Certified  
 ICC/ANSI A117.1/ADA



CSA B125  
 ASME A112.18.1  
 ICC/ANSI A117.1



**Model**  
**6515521**  
**Shown**



# LAVATORY FAUCETS

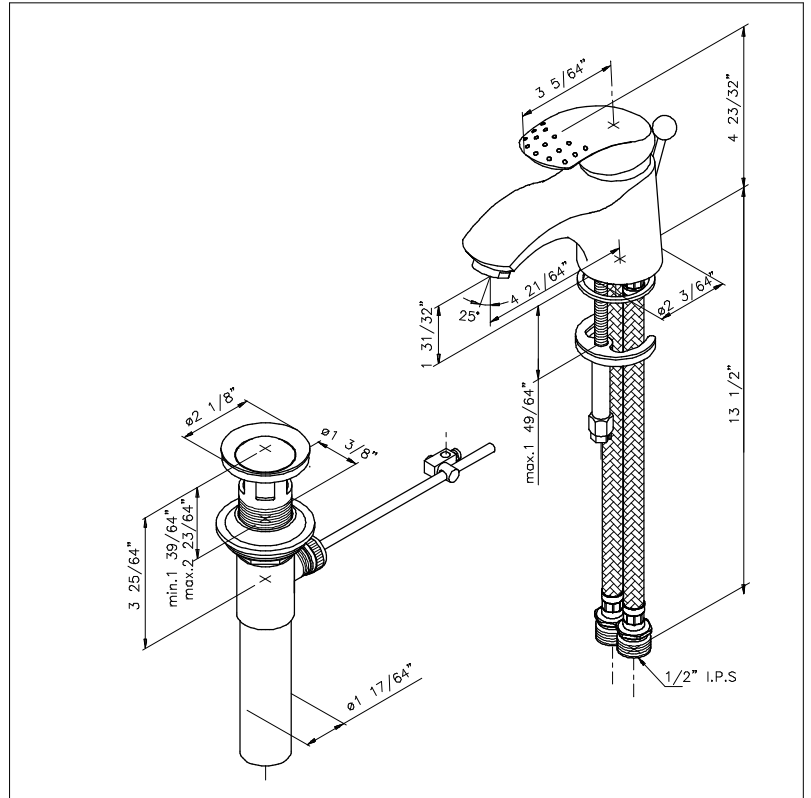
- Riviera® Single Handle
- 1 Hole Applications

**Submitted Model No.:** \_\_\_\_\_

**Specific Features:** \_\_\_\_\_

## STANDARD SPECIFICATIONS

- Single handle lavatory faucet for concealed mounting on 1 hole applications.
- Control mechanism shall be of the rotating stainless steel ball type, with replaceable non-metallic seats.
- RP6948391 optional escutcheon available for 4" centerset applications
- Recommend 1 1/2" hole size.
- Metal drain has pop-up type fitting with plated flange and stopper.
- The back edge of the faucet body must be at least 1 1/2 inches from the backsplash on wall in order to allow the lift rod to function properly.



## AVAILABLE FINISHES

Suffix	Finish
BN	Brilliance® Brushed Nickel
PC	Polished Chrome

Gals./Min	0.5	1.0	1.5	2.0	2.5	3.0	10.0	10.5	12.0	17.5	18.0	19.0	psi	60.0	80.0
Ltrs./Min	1.9	3.8	5.7	7.6	9.5	11.4	38.0	40.0	45.0	66.0	68.0	72.0	kPa	414	551

Standard Features	
Washerless	◆
Flexible connection hoses	◆
Metal Pop-up Drain	◆
1/2" I.P.S. Adapters	◆

