

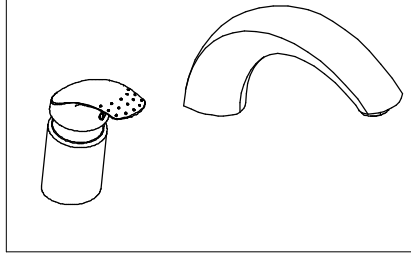
COMPLIES WITH:
ANSI/ASME A112.18.1
CSA B125
IAPMO Listed
CSA Certified
ICC/ANSI A117.1/ADA



CSA B125
ASME A112.18.1
ICC/ANSI A117.1



Model
6715814
Shown



BATH VALVES

- Riviera® Single Handle Roman Tub Valve
- 2 Hole Applications
- Temperature and Volume Controlled With Single Handle
- 4 1/2" to 10" Centers
- Flexible Ledge Mount

Submitted Model No.: _____

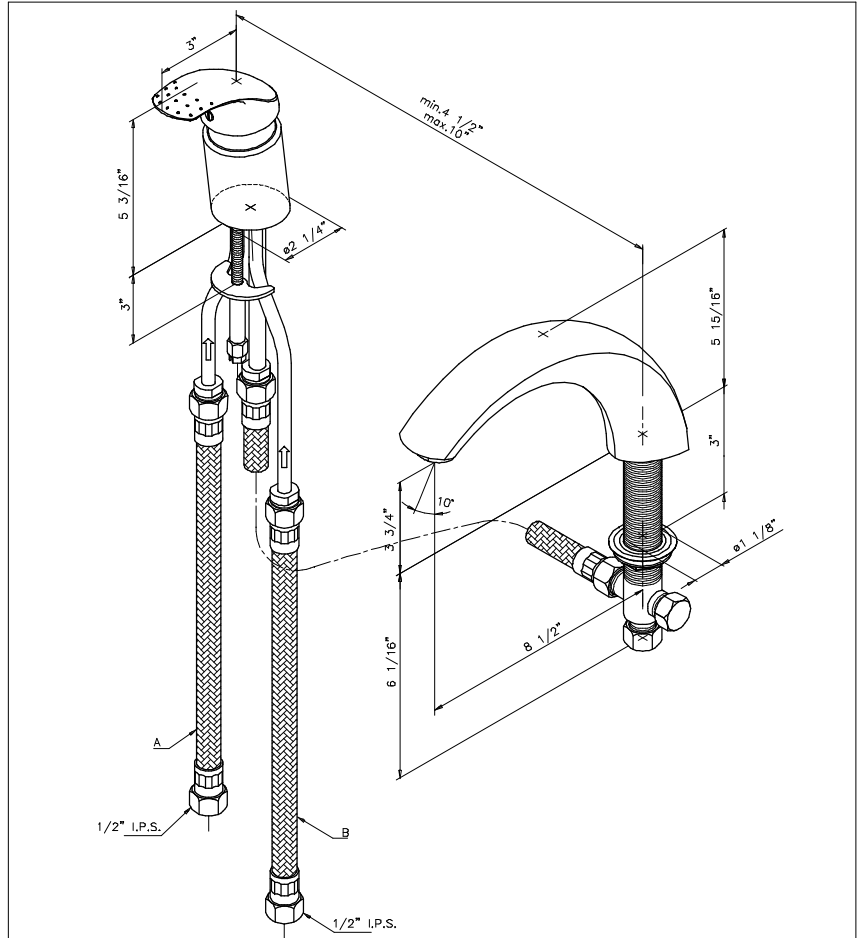
STANDARD SPECIFICATIONS

- Single handle Roman tub valve for concealed mounting on 2 hole applications.
- Control mechanism shall be of rotating ceramic cartridge type.
- Minimum 4 1/2" distance between holes.
- Recommended hole size: Valve unit: 1 1/2"
Spout: 1 1/8"
- All operating parts shall be replaceable from the top.
- Conventional installation kit adjusts to 3" maximum deck thickness.

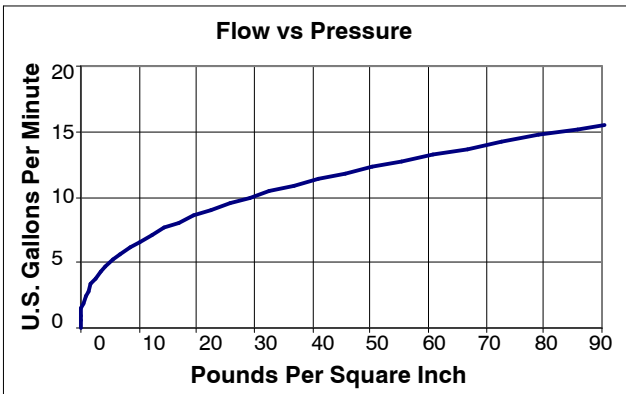
Specific Features: _____

AVAILABLE FINISHES

Suffix	Finish
BN	Brilliance® Brushed Nickel
PC	Polished Chrome



Standard Features	
Washerless ceramic valve cartridge	◆
Flexible connection hoses	◆
1/2" I.P.S. Adapters	◆



Metric Conversion Chart

Gals./Min	0.5	1.0	1.5	2.0	2.5	3.0	10.0	10.5	12.0	17.5	18.0	19.0	psi	60.0	80.0
Ltrs./Min	1.9	3.8	5.7	7.6	9.5	11.4	38.0	40.0	45.0	66.0	68.0	72.0	kPa	414	551