



# **In-Swing Single Doors**

(rev. 6.21.06)

Copyright © 2006 by Pacific Architectural Millwork

All rights reserved. No part of this manual may be reproduced or transmitted in any form or by any means without permission by Pacific Architectural Millwork.



# **In-Swing Single Doors**

## **Section Contents**

Product Overview .....	2
Exterior Elevation .....	3
Vertical Section .....	4
Plan Section .....	5
Head Detail .....	6
Sill Detail .....	7
Jamb Detail.....	8

## Product Overview



### Introduction

Elegance, durability, and quality characterize the Pacific Architectural Millwork stile-and-rail single door, available in either in-swing or out-swing configurations. Each door is precision engineered and built by master craftsmen, resulting in superior performance and beauty you can see and feel.

The center panel can be made of wood or glass, and customized with decorative glazing or grille patterns. We can help you achieve any look you desire, from Old World rustic to sleek and contemporary. Single doors are also available with wood-framed screens to allow air circulation and prevent unwanted pests.

### Hardware Options

Handle sets and locks are available but not standard.

### Glazing Options

Standard glazing for the optional glass panel uses tempered insulated glass. Custom glazing and tinted glass are also available.

We offer two different edge details:

- Contemporary
- Traditional

See the General Info section for more details.

### Wood Species

Our standard wood species are the following:

- Pine
- Vertical Grain Douglas Fir
- Mahogany

Alternative and exotic wood species are also available.

### Other Options

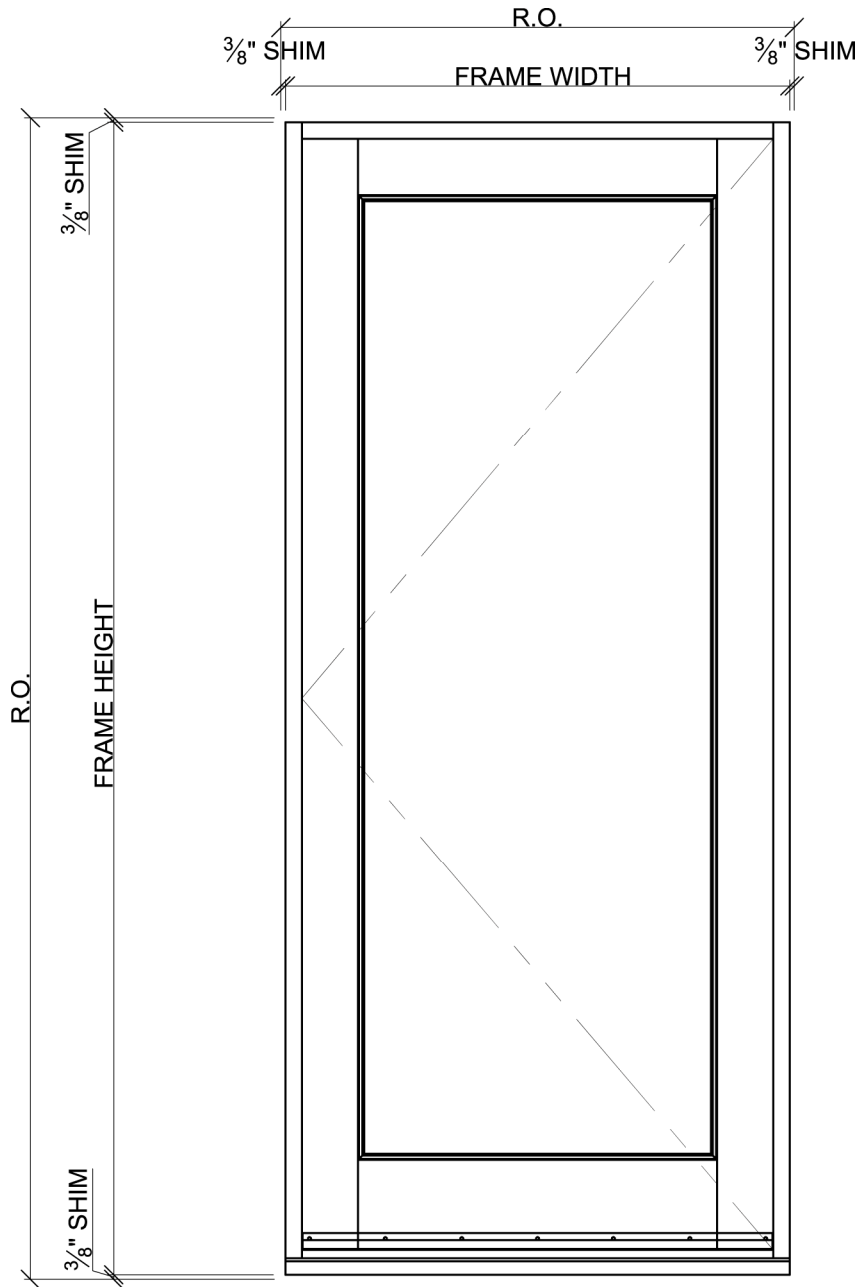
The in-swing single door can be purchased with custom options such as raised wood panels, wood-framed screens, specialty woodcarving, or unique grille patterns for glass panels.

Contact Pacific Architectural Millwork for additional options and customization.

### Product Parameters:

Min Height:	6'8"
Max Height:	9'
Min Width:	24"
Max Width:	42"
Min. Stile Width:	5 1/2"
Panel Thickness:	2 1/4" or 2 1/2"
Stiles/Top Rail Width:	5 1/2"
Bottom Rail Width:	8"

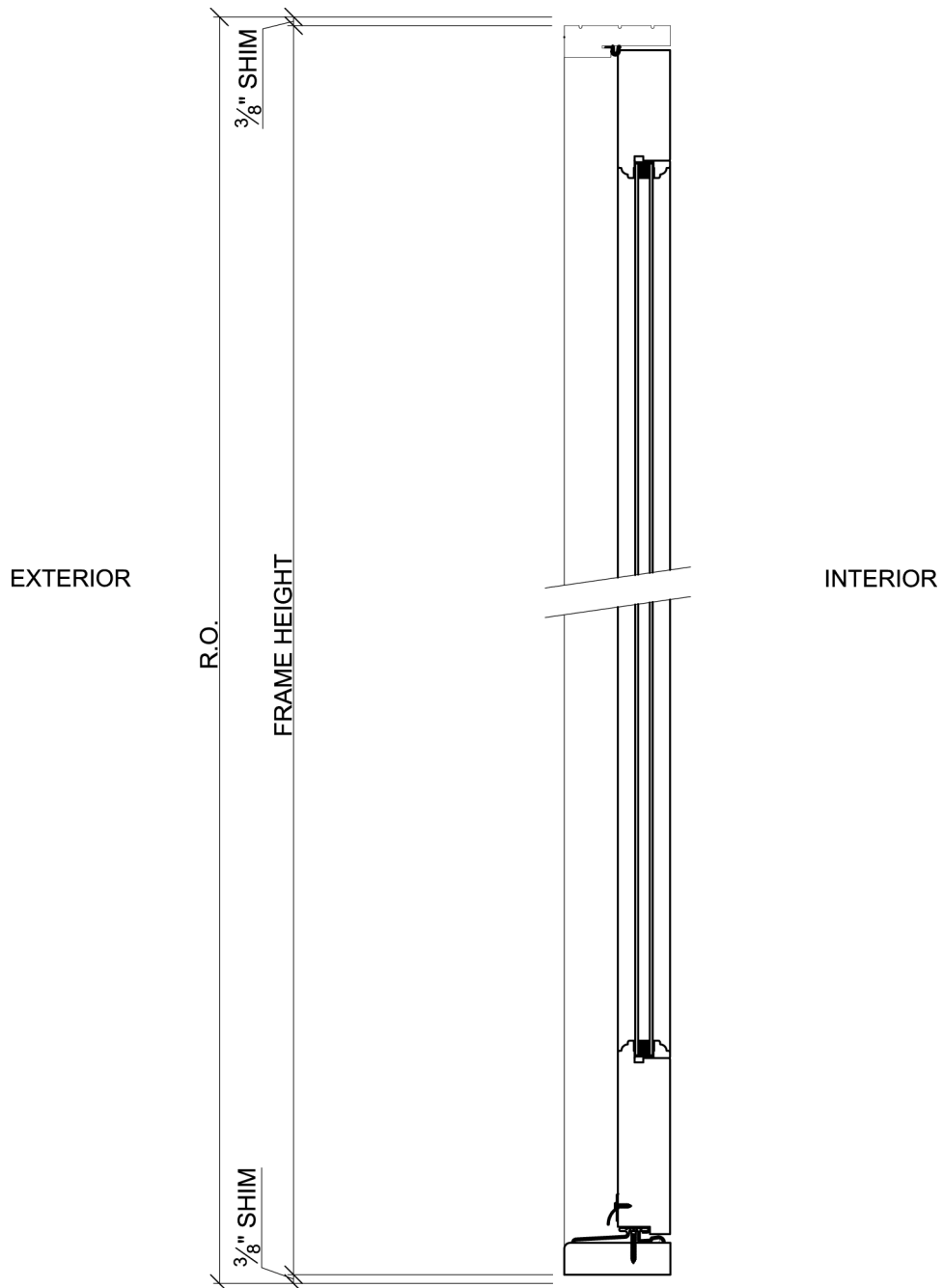
# Exterior Elevation



# In-Swing Single Doors

(rev. 6.21.06)

## Vertical Section



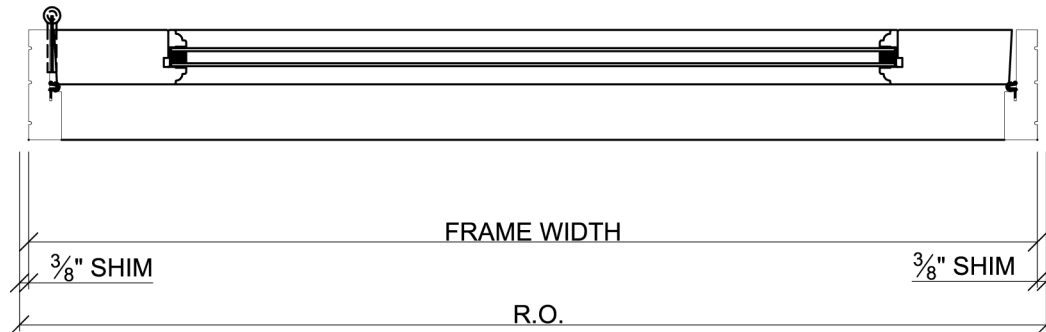
# In-Swing Single Doors

(rev. 6.21.06)



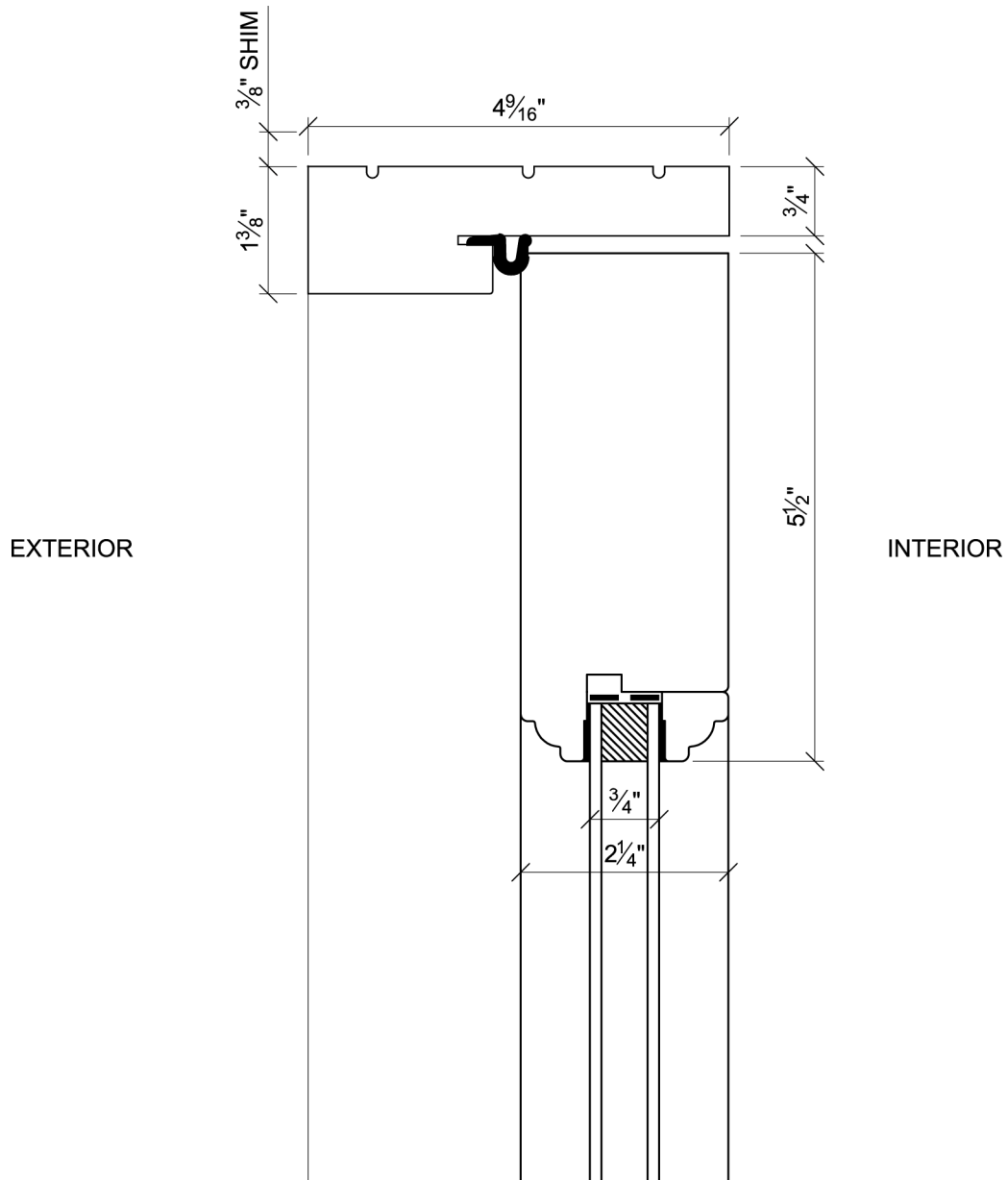
## Plan Section

INTERIOR



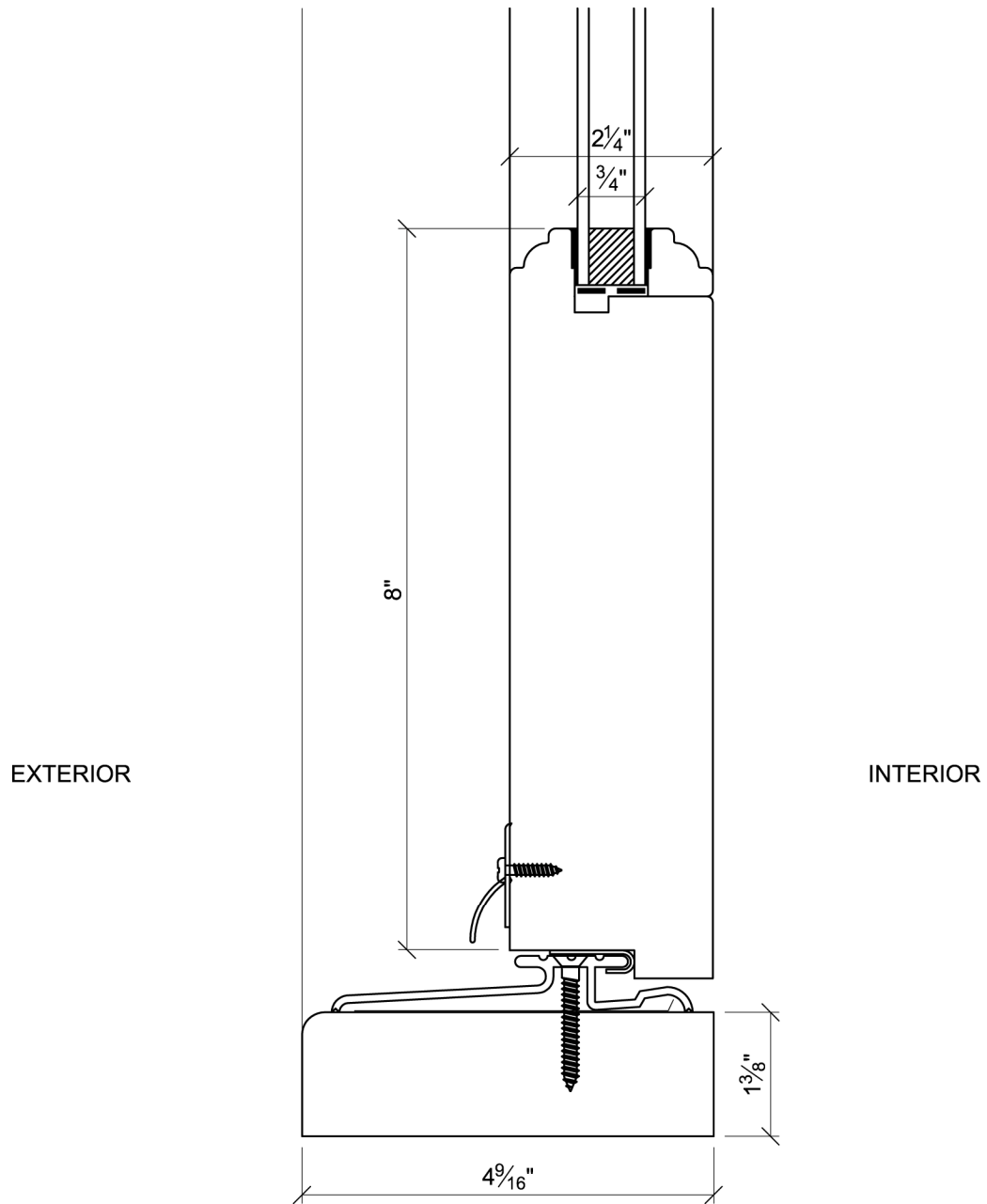
EXTERIOR

# Head Detail





# Sill Detail



# In-Swing Single Doors

(rev. 6.21.06)



## Jamb Detail

