



# **Wood Single-Hung Window**

(rev. 6.5.06)

Copyright © 2006 by Pacific Architectural Millwork

All rights reserved. No part of this manual may be reproduced or transmitted in any form or by any means without permission by Pacific Architectural Millwork.



# Wood Single-Hung Window

## Section Contents

Product Overview .....	2
Exterior Elevation .....	3
Vertical Section .....	4
Plan Section .....	5
Head Detail .....	6
Sill Detail .....	7
Jamb Detail .....	8
Check Rail Detail .....	9

# Wood Single-Hung Window

(rev. 6.5.06)



## Product Overview



### Introduction

Pacific Architectural Millwork offers a sophisticated version of the classic single-hung window. Our single-hung consists of a top fixed sash and sliding bottom sash, which allows for flexible venting options in situations where a swing-out casement or awning configuration is not preferred. The attractive, durable hardware is available in a variety of finishes.

### Hardware Options

The wood single-hung window hardware is available in the following finishes:

- Polished Brass
- Matte Black
- Oil-Rubbed Brass
- White
- Brushed Chrome
- Satin Nickel
- Antique Brass
- Polished Chrome

Custom hardware and handles are available.

### Glazing Options

Standard glazing for the wood single-hung window uses 5/8" overall insulated glass. Custom glazing and tinted glass are also available.

We offer two different edge details:

- Contemporary
- Traditional

See the General Info section for more details.

### Wood Species

Our standard wood species are the following:

- Pine
- Vertical Grain Douglas Fir
- Mahogany

Alternative and exotic wood species are also available.

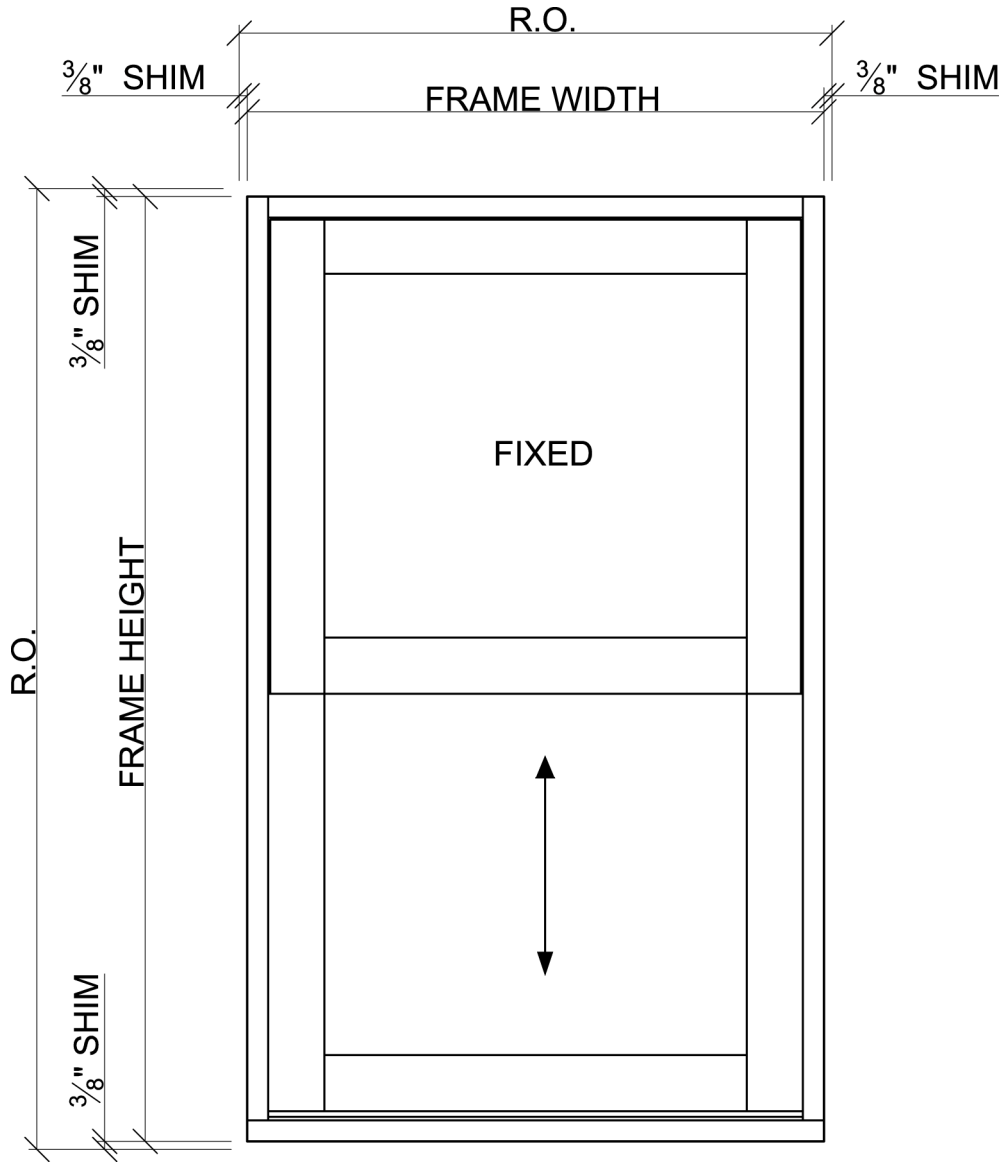
### Other Options

The wood single-hung window can also be made with screens and custom grille patterns. Contact Pacific Architectural Millwork for additional options and customization.

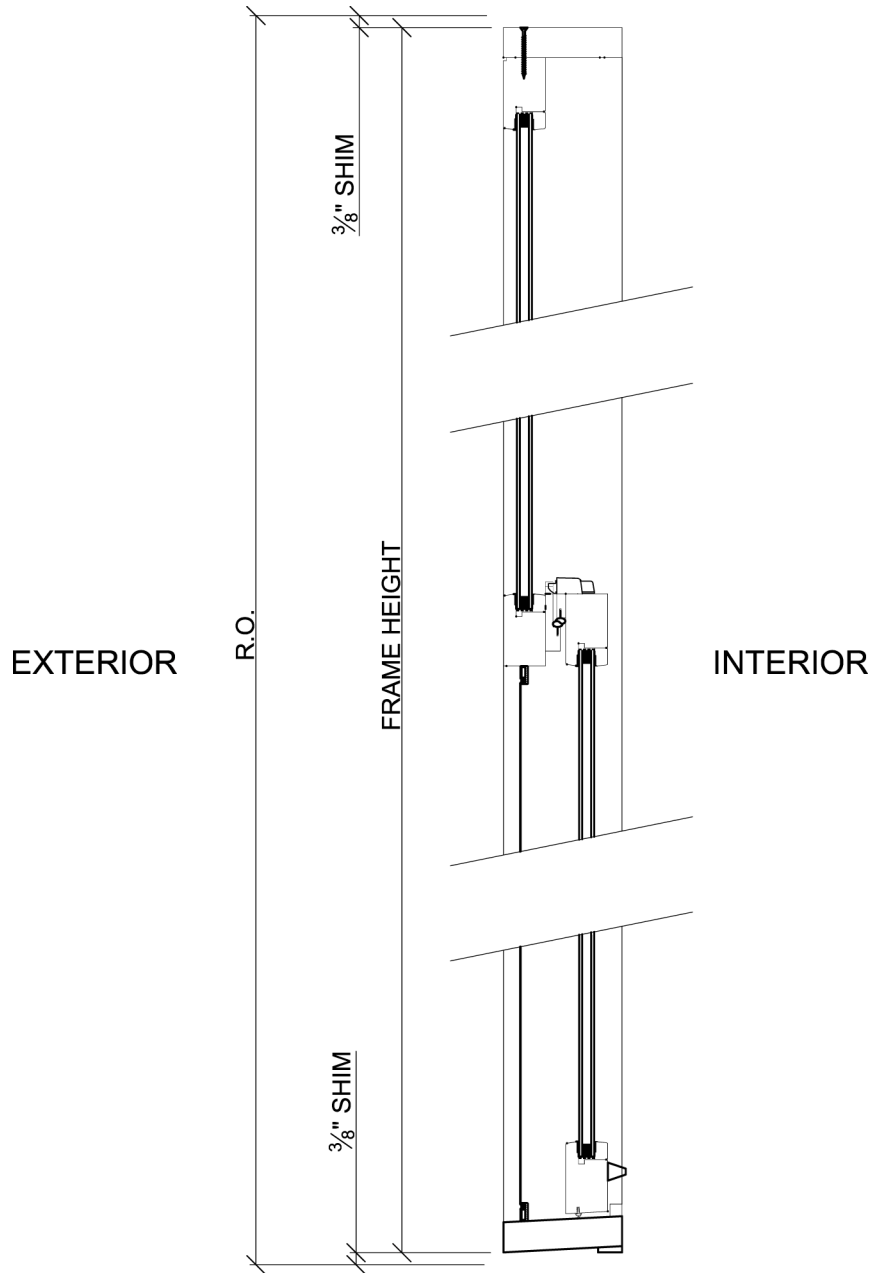
### Product Parameters:

Min Height:	36"
Max Height:	72"
Min Width:	18"
Max Width:	40"
Min Stile Width:	3"
Max Weight:	45 lbs./sash
Min Jamb Depth:	4 <sup>9</sup> / <sub>16</sub> " (with ext. trim) 4 <sup>15</sup> / <sub>16</sub> " (w/o ext. trim)

# Exterior Elevation



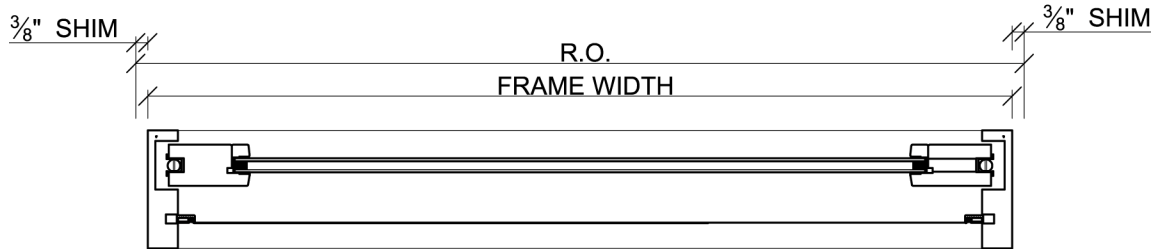
# Vertical Section



NOTE: SHOWN WITH OPTIONAL SCREEN

# Plan Section

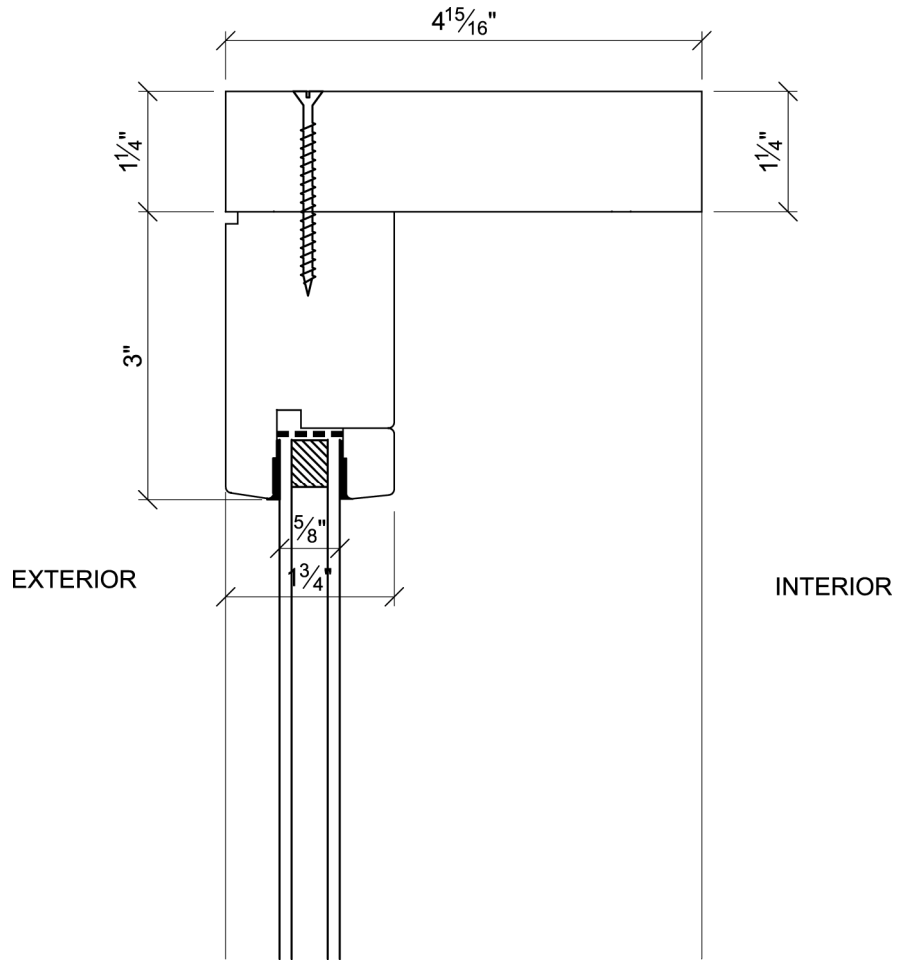
INTERIOR



EXTERIOR

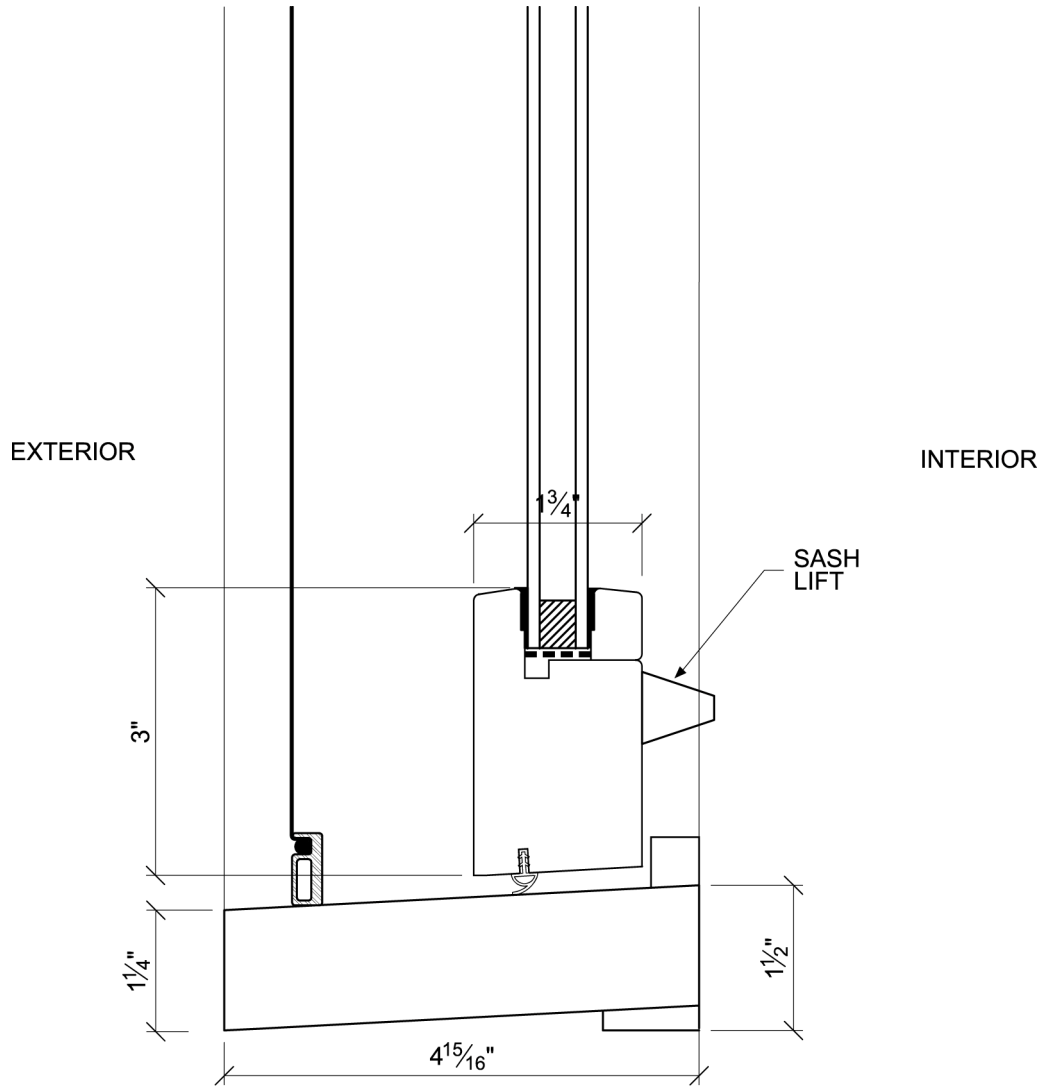
NOTE: SHOWN WITH OPTIONAL SCREEN

# Head Detail





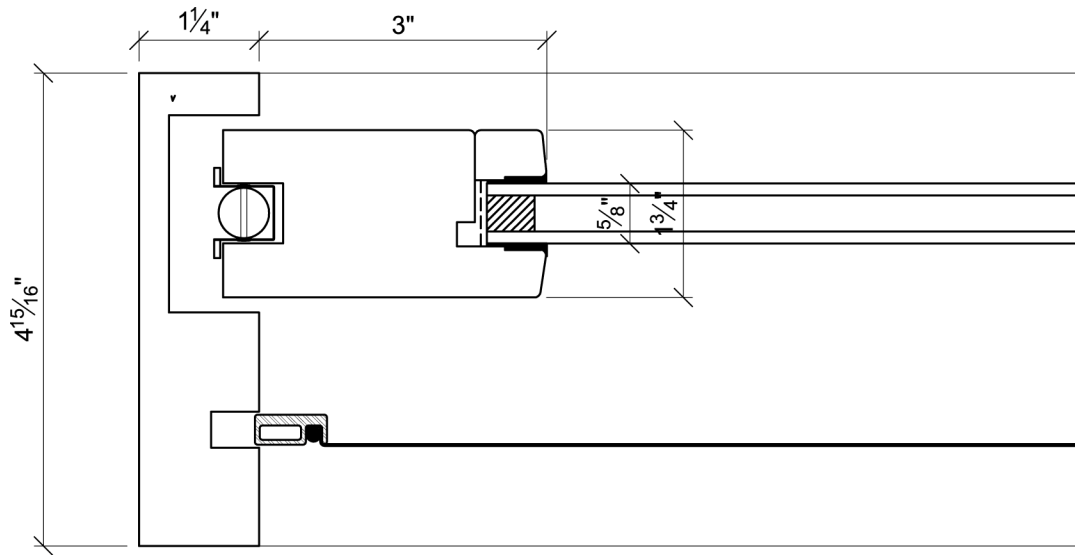
# Sill Detail



NOTE: SHOWN WITH OPTIONAL SCREEN

# Jamb Detail

INTERIOR



EXTERIOR

NOTE: SHOWN WITH OPTIONAL SCREEN

# Check Rail Detail

