

American Standard

Williamsburg™

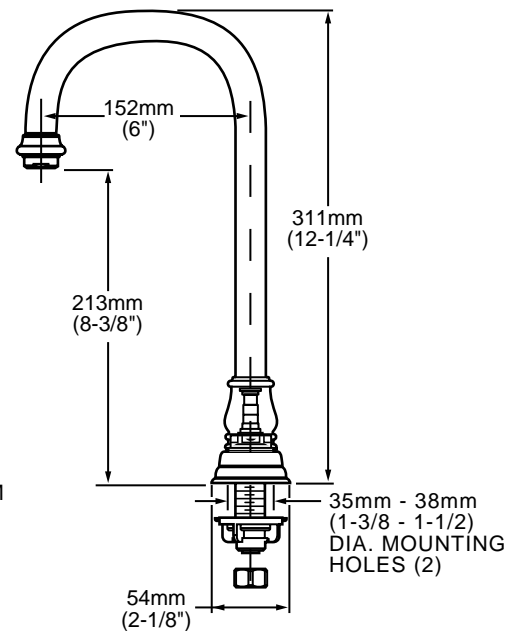
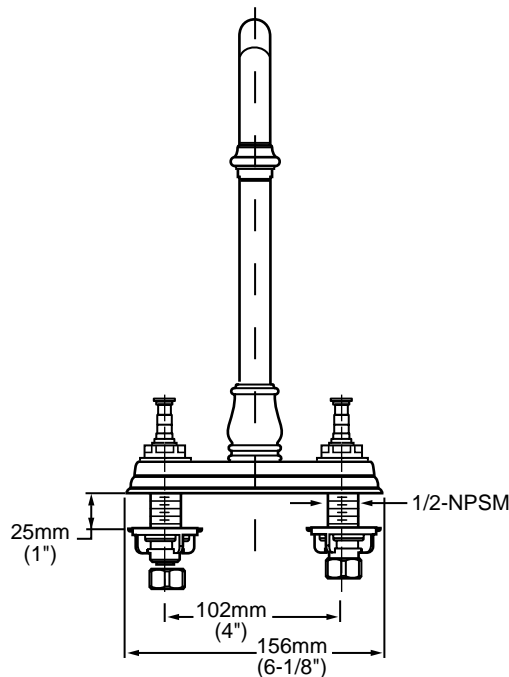
TWO-HANDLE BAR SINK FAUCET WITH BRASS GOOSENECK SPOUT



3770.222 Shown.

MODEL NUMBER:

- ❑ **3770 Centerset Bar Faucet**
2 sets of handles. (metal lever handles and Porcelain lever handles).



GENERAL DESCRIPTION:

Durable brass construction. 1/4 turn washerless ceramic disc valve cartridges - reversible for use with either lever or cross handles. One-half inch male inlet shanks with brass coupling nuts. Brass 22mm (7/8") diameter swing spout. Brass escutcheon plate (escutcheon size 6-1/8L x 2-1/8D). 2.2 gpm/8.3 L/min. maximum flow rate.

PRODUCT FEATURES:

Brass Construction & Cast Brass Waterway: Durable - Excellent in high use applications. Ideal for prolonged contact with water. Cast Brass waterway.

Ceramic Disc Valve Cartridges: Assures a lifetime of drip-free performance.

Larger Spout: Increased spout height, reach and diameter.

Low Lead: Meets NSF Standard 61/Section 9 & Prop 65 lead requirements.

Choice of finishes: Available in a wide range of durable finishes.

SUGGESTED SPECIFICATION:

Two handle centerset bar sink faucet shall feature brass construction with all brass inlet shanks and coupling nuts. Shall also feature 1/4 turn washerless ceramic disc valve cartridges that are reversible for use with cross or lever handles. Fitting shall be American Standard Model # 3770._____.



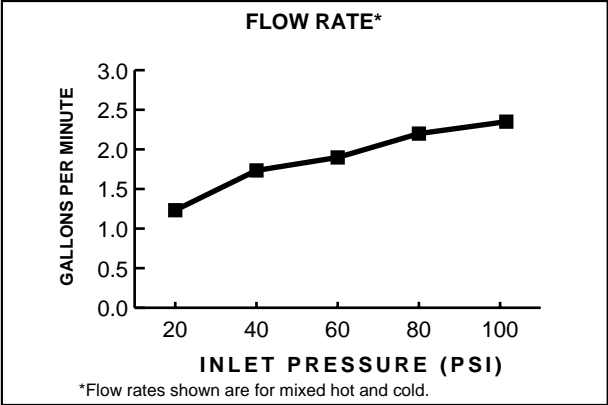
Williamsburg™

TWO-HANDLE BAR SINK FAUCET WITH BRASS GOOSENECK SPOUT

CODES AND STANDARDS

These products meet or exceed the following codes and standards:

- ASME A112.18.1
- CSA B 125
- NSF 61/Section 9



Product Number	Description	Finish Options		
		Polished Chrome	PVD Polished Brass	Chrome/Brass (PVD) Mix
3770.222	Centerset bar faucet. 2 sets of handles (metal lever handles and Porcelain lever handles).	002	099	299



Meets the American Disabilities Act Guidelines and **ANSI A117.1** Requirements for the physically challenged.